

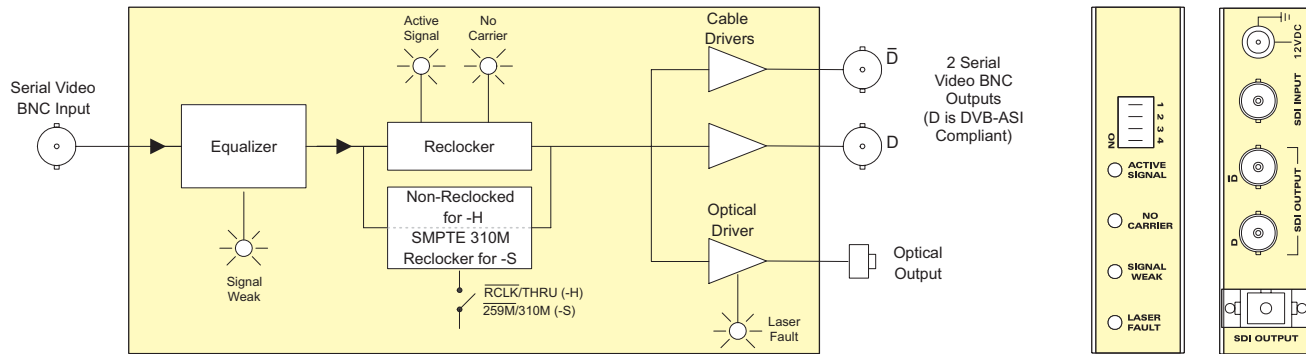
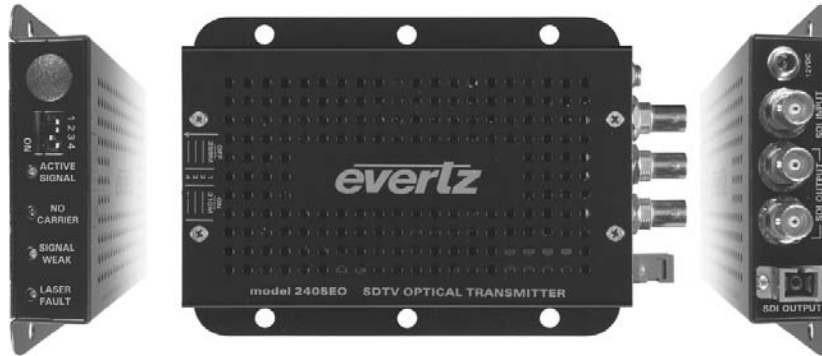
2405EO

SDI Miniature Optical Transmitter



Features & Benefits

- Reclocking for all SDTV video rates including SMPTE 259M (143Mb/s-360Mb/s), SMPTE 310M (19.4Mb/s), SMPTE 344M (540Mb/s), M2S, and DVB-ASI (270Mb/s)
- Available in 1310nm, 1550nm and up to sixteen different CWDM wavelengths (ITU-T G.694.2 compliant)
- Automatic laser shutdown on absence of input signal for extended laser life
- Supports single-mode and multi-mode fiber optic cable
- Immunity to video Pathological signals
- Long reach transmission capability
- Rugged, small form factor enclosure
- Low Power, +12V DC operation



Specifications

Standards :	SMPTE 259M (A, B, C, D), SMPTE 297M, SMPTE 310M, SMPTE 344M, M2S, & DVB-ASI	Optical Output:	Number of Outputs: 1 Connector: SC/PC, ST/PC, FC/PC Female Return Loss: > 14dB Rise, Fall Time: 400-700ps Jitter: < 0.2UI Optical Power: 1310nm FP: -7dBm ±1dBm 1550nm DFB: 0 dBm ±1dBm CWDM DFB: 0 dBm ±1dBm	Electrical:	Voltage: Auto ranging 100-240VAC 12V DC 50/60Hz (adapter included) Power: 6W
Serial Video BNC Input:	Number of Inputs: 1 Connector: BNC per IEC 60169-8 Amendment 2 Equalization: Automatic to 300m @ 270Mb/s with Belden 8281 (or equivalent) Return Loss: > 15dB up to 540MHz	Physical:	Dimensions: With Flanges: 6"L x 4"W x 1"H (152mm L x 114mm W x 25mm H) Weight: 0.5lbs (0.28kg)	Compliance:	Safety: Power supply UL Listed Complies with EU low voltage directive Laser Safety: Class 1 laser product Complies with 24 CFR 1040.10 and 1040.11 IEC 60825-1 Complies with FCC Part 15, Class A EU EMC directive
Serial Video BNC Output:	Number of Outputs: 2 (1 output DVB-ASI/M2S compliant) Connector: BNC per IEC 60169-8 Amendment 2 Signal Level: 800mV nominal DC Offset: 0V ±0.5V Rise, Fall Time: 900ps nominal Overshoot: < 10% of amplitude Return Loss: > 15dB up to 540MHz Wideband Jitter: < 0.2 UI				

Ordering Information

2405EO3F	SDI Miniature Optical Transmitter 1310nm FP, Laser
2405EO5D	SDI Miniature Optical Transmitter 1550nm DFB Laser

For CWDM, please refer to the end of the fiber section for ordering information
2405EOxx SDI Miniature Optical Transmitter CWDM DFB Laser

All 2405 modules include power supply

Ordering Options Fiber Connector must be specified at time of order
 Eg: Model +SC

Connector Suffix	
+SC	SC/PC
+ST	ST/PC
+FC	FC/PC

Fiber Optic Patch Cable	
CB-FP1M-SCPC	Single mode fiber cable, 1m, SC/PC male termination
CB-FP1M-STPC	Single mode fiber cable, 1m, ST/PC male termination
CB-FP5M-SCPC	Single mode fiber cable, 5m, SC/PC male termination
CB-FP5M-STPC	Single mode fiber cable, 5m, ST/PC male termination
CB-FP10M-SCPC	Single mode fiber cable, 10m, SC/PC male termination
CB-FP10M-STPC	Single mode fiber cable, 10m, ST/PC male termination

Distributed by: Mega Hertz 800-883-8839 sales@megahz.com www.megahz.com

