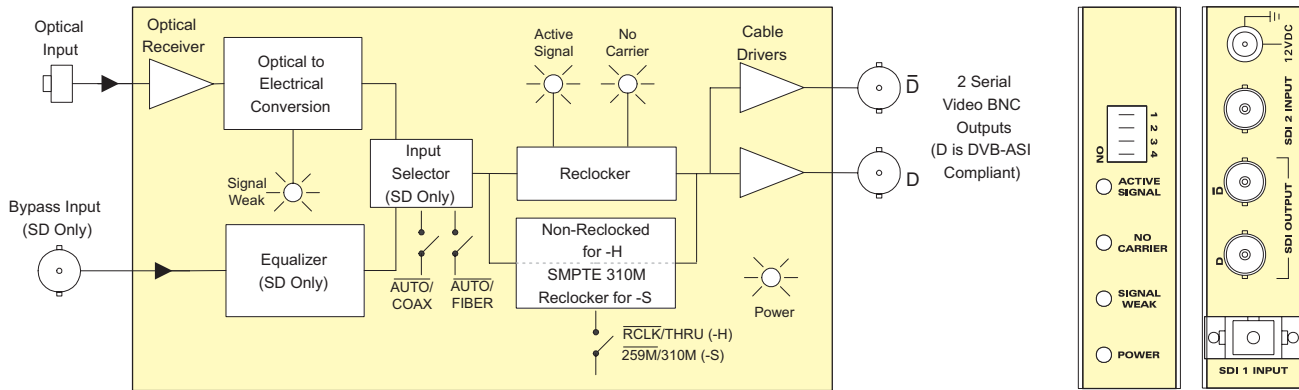




Features & Benefits

- Reclocking for all SDTV video rate including SMPTE 259M (143Mb/s-540Mb/s), SMPTE 310M (19.4Mb/s), SMPTE 344M (540Mb/s), M2S and DVB-ASI (270Mb/s)
- Automatic signal failure switching for optical input
- Immunity to video Pathological signals
- Supports single-mode and multi-mode fiber optic cable
- Rugged, small form factor enclosure
- Low Power, +12V DC operation



Specifications

Standards	SMPTE 259M (A, B, C, D), SMPTE 297M, SMPTE 310M, SMPTE 344M, M2S, DVB-ASI	Serial Video BNC Output:	Number of Outputs: 2 (1 output DVB-ASI/M2S compliant) Connector: BNC per IEC 60169-8 Amendment 2 Signal Level: 800mV nominal DC Offset: 0V ±0.5V Rise, Fall Time: 900ps nominal Overshoot: < 10% of amplitude Return Loss: > 15dB up to 540MHz Wideband Jitter: < 0.2 UI	Compliance:	Safety: Power supply UL Listed Complies with EU low voltage directive
Serial Video BNC Input	Number of Inputs: 1 Connector: BNC per IEC 60169-8 Amendment 2 Equalization: Automatic to 300m @ 270Mb/s with Belden 8281 (or equivalent) Return Loss: > 15dB up to 540MHz	Physical	Dimensions: With Flanges: 6"L x 4"W x 1"H (152mm L x 114mm W x 25mm H) Weight: 0.5lbs (0.28kg)		
Optical Input	Number of Inputs: 1 Operating Wavelength: 1270nm to 1610nm Maximum Input Power: 0dBm Optical Sensitivity: -32 dBm Connector: SC/PC, ST/PC, FC/PC Female Housing	Electrical	Voltage: Auto ranging 100-240VAC 12V DC 50/60Hz (adapter included) Power: 6W		

Ordering Information

2405OE	SDI Miniature Optical Receiver, 19.4Mb/s or 143-540Mb/s,	Fiber Optic Patch Cable	CB-FP1M-SCPC Single mode fiber cable, 1m, SC/PC male termination CB-FP1M-STPC Single mode fiber cable, 1m, ST/PC male termination CB-FP5M-SCPC Single mode fiber cable, 5m, SC/PC male termination CB-FP5M-STPC Single mode fiber cable, 5m, ST/PC male termination CB-FP10M-SCPC Single mode fiber cable, 10m, SC/PC male termination CB-FP10M-STPC Single mode fiber cable, 10m, ST/PC male termination
Ordering Options	Rear Plate and Fiber Connector must be specified at time of order Eg: Model +SC +3RU	Enclosures	7700FR-C 3RU Multiframe which holds up to 15 single slot modules 7701FR 1RU Multiframe which holds up to 3 single or dual slot modules S7701FR Standalone Enclosure
Connector Suffix	+SC SC/PC +ST ST/PC +FC FC/PC		