



7700ADA-AUD

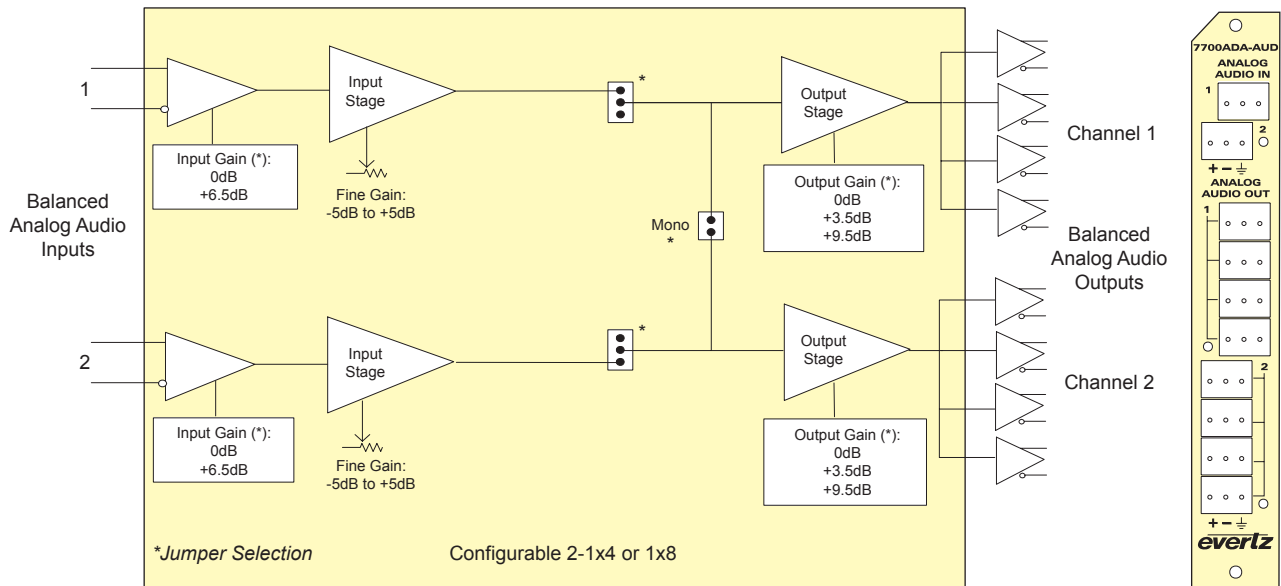
Dual Analog Audio Distribution Amplifier

The 7700ADA-AUD Dual Analog Audio distribution amplifier is a general purpose amplifier for distributing analog audio signals. It can be operated as two independent 4 output amplifiers for stereo signals, or as a single amplifier with 8 outputs where higher fanout is required.

The 7700ADA-AUD can be operated with either differential or single ended inputs and offers a wide range of gain adjustment to handle a wide variety of input signals.

Features & Benefits

- Differential and single ended input (automatic single ended to differential conversion)
 - Configurable for stereo (2-1x4) or mono (1x8)
 - High impedance input
 - Low impedance outputs
 - Wide gain adjustment range
 - High common mode range and common mode rejection ratio (CMRR)
 - Very high SNR
 - Very low THD+N
- Card Edge LEDs**
- Module status/Local fault



Specifications

Analog Audio Input:

Standards: Any analog audio signal
 Number of inputs: 2 (Balanced or Single ended)
 Connectors: 3-pin removable terminal strips
 Input step gain: 0dB or +6.5dB (configurable with jumpers)
 Fine gain control: -6.5dB to +9.5dB (card edge pot adjustable)
 Max input level:
 0dB input gain: +34dBu
 +6.5dB input gain: +28dBu
 Noise floor: -87dBu (0dB input gain), -91dBu (+6.5dB input gain jumper setup)
 Common mode rejection:
 > 115dB @ 60Hz, 90dB @ 20kHz (tested with +28dBu CM input)
 Common mode range:
 0dB input gain: > ±22V
 +6.5dB input gain: > ±7V
 Input impedance:
 0dB input gain: 33kΩ
 +6.5dB input gain: 15kΩ

Analog Audio Outputs:

Number of Outputs:
 Stereo Mode: 4 outputs each on left and right channels
 Mono Mode: 8 outputs
 Connectors: 3-pin removable terminal strips
 Output step gain: 0, 3.5 or 9.5dB (configurable with jumpers)
 Max output level: +28dBu across hi-impedance load
 +24dBm into 600Ω load
 Output impedance: 66Ω
 Frequency Response: ±0.02dB 20Hz to 20kHz
 Stereo phase mismatch: < 1° @ 20kHz
 SNR:
 0dB input gain: 115dB
 +6.5dB input gain: 119dB
 THD+ Noise: 0.001% 20Hz to 20kHz @ 28dBu, unweighted RMS, Hi-Z load
 0.01% with 600Ω up to 24dBm
 Intermodulation Distortion:
 0.001% - SMPTE @ 18dBu
 Stereo crosstalk: > 115dB @ 1kHz, > 93dB @ 20kHz
 Output Isolation: > 110dB @ 1kHz, 100dB @ 20kHz

Electrical:

Voltage: +12V DC
 Power: 12W
 EMI/RFI: Complies with FCC Part 15, Class A, EU EMC Directive

Physical:

Number of Slots: 1

Ordering Information:

7700ADA-AUD Balanced Analog Audio Distribution Amplifier (Configurable 1x8 or 2-1x4)

Ordering Options Rear Plate must be specified at time of order
 Eg: Model +3RU

Rear Plate Suffix

+3RU 3RU Rear Plate for use with 7700FR-C Multiframe
 +1RU 1RU Rear Plate for use with 7701FR Multiframe
 +SA Standalone Enclosure Rear Plate

Enclosures

7700FR-C
7701FR
S7701FR

3RU Multiframe which holds up to 15 single slot modules
 1RU Multiframe which holds up to 3 single or dual slot modules
 Standalone enclosure

Distributed by: Mega Hertz 800-883-8839 sales@megahz.com www.megahz.com