

7700ADA7

Analog Video Equalizing Distribution Amplifier

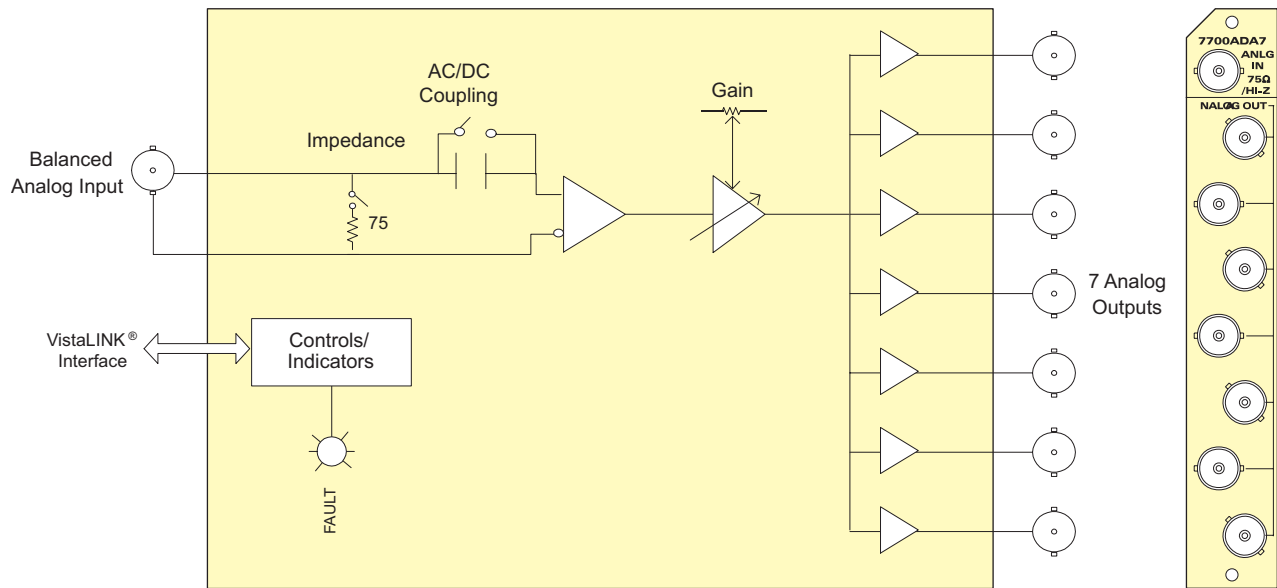


The 7700ADA7 Analog Distribution Amplifier is a general purpose amplifier for distributing analog video signals. The 7700ADA7 features one balanced input with seven outputs. The 7700ADA7 amplifier has been designed to distribute a wide range of analog video signals. It can also distribute other pulses and signals that are less than 2V p-p.

The 7700ADA7 occupies one card slot in the 3RU frame, which will hold up to 15 modules or the 1RU frame, which will hold up to three modules.

Features & Benefits

- 75Ω or high impedance input (jumper selectable)
- High common mode range and common mode rejection ratio (CMRR)
- Gain control
- Jumper selectable AC or DC coupling
- Looping feature with external "T" connector
- Consistent input impedance if card power is lost
- VistaLINK® - capable offering remote control and configuration capabilities via SNMP (using VistaLINK® PRO, 9000NCP or 9000NCP2 Network Control Panel) is available when modules are used with the 3RU 7700FR-C frame and a 7700FC VistaLINK® Frame Controller



Specifications

Analog Video Input: Standards: Any analog video format, up to 2V p-p and 30MHz bandwidth Connector: BNC per IEC 60169-8 Amendment 2 Common mode range: > 6V p-p CMRR: > 70dB to 1kHz Signal amplitude: 2.5V p-p max Impedance: 75Ω terminated, 35kΩ Hi-Z (jumper selectable) Coupling: AC or DC (jumper selectable) Return loss: > 40dB to 10MHz, > 30dB to 30MHz	Analog Video Outputs: Number of Outputs: 7 per card Connector: BNC per IEC 60169-8 Amendment 2 Output impedance: 75Ω Gain control range: ±5dB DC level (DC Coupling active): < ±100mV Freq. Response: < ±0.05dB (to 5.5MHz) Differential Gain: < 0.17% Differential Phase: < 0.19° C/L gain inequality: < ±0.1% C/L Delay: < ±2nsec Output isolation: 42dB to 10MHz, 32dB to 30MHz Output return loss: > 40dB to 30MHz Noise performance: < -78dB RMS NTC7 weighting, < -70dB RMS 15kHz to 5.5MHz	Electrical: Voltage: +12V DC Power: 1.2W EMI/RFI: Complies with FCC Part 15, Class A, EU EMC Directive Physical: Number of Slots: 1
--	---	--

Ordering Information

7700ADA7 Analog Video Distribution Amplifier (1x7)

Ordering Options Rear Plate must be specified at time of order
Eg: Model +3RU

Rear Plate Suffix
 +3RU 3RU Rear Plate for use with 7700FR-C Multiframe
 +1RU 1RU Rear Plate for use with 7701FR Multiframe
 +SA Standalone Enclosure Rear Plate

Enclosures
 7700FR-C
 7701FR
 S7701FR

3RU Multiframe which holds up to 15 single slot modules
 1RU Multiframe which holds up to 3 single or dual slot modules
 Standalone enclosure

Distributed by: Mega Hertz 800-883-8839 sales@megahz.com www.megahz.com

