

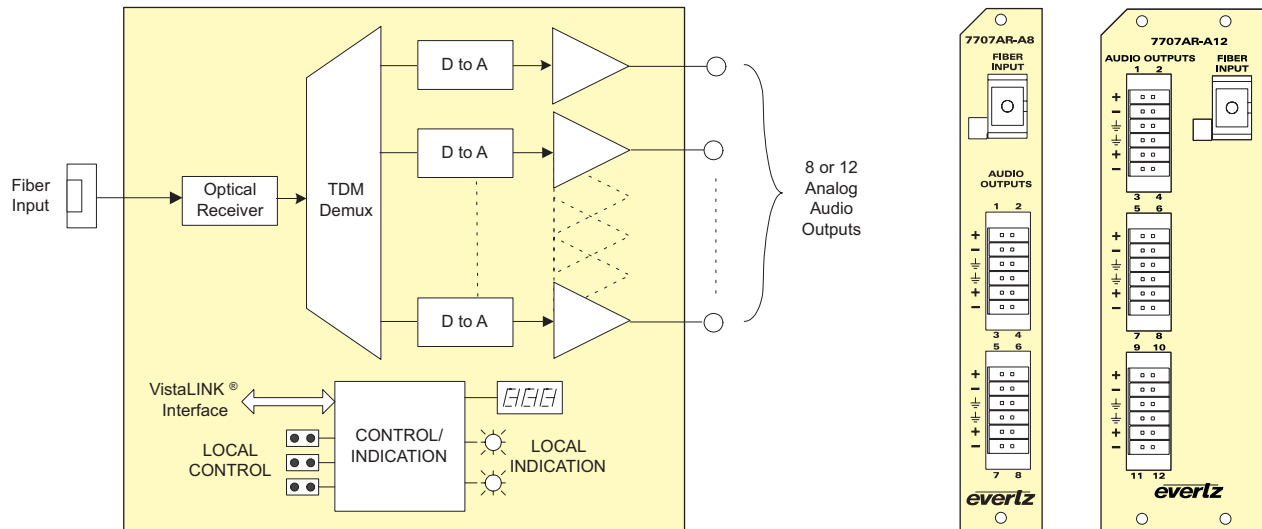


# 7707AR-A8 & 7707AR-A12

## 8/12 Channel Analog Audio Fiber Receiver Demux

### Features & Benefits

- Eight or twelve professional quality analog audio fiber optic receiver
- Adjustable audio detection for each channel
- Adjustable audio gain for each channel
- Audio monitoring via card-edge headphone jack
- All configuration settings controllable through the card-edge interface, or remotely through SNMP and VistaLINK®
- Wide-band optical input compatible with 1310nm, 1550nm, CWDM, or DWDM transmission wavelengths
- Supports single-mode and multi-mode fiber optic cable
- SC/PC, ST/PC, or FC/PC fiber connector options
- Fully hot-swappable from front of frame
- Comprehensive signal and card status monitoring via four digit card edge display or remotely through SNMP and VistaLINK®
- VistaLINK® capability is available when modules are used with the 3RU 7700FR-C frame and a 7700FC VistaLINK® Frame Controller module in slot 1 of the frame



### Specifications

#### Analog Audio Outputs:

Number of Outputs:  
 7707AR-A8: 8  
 7707AR-A12: 12  
 Connectors: Multi-pin Removable Terminal Blocks  
 Output Level:  
 Into High Impedance:  
 +24dBu (max)  
 +23dBu (max)  
 Into 600Ω:  
 +23dBu (max)  
 Frequency Response:  
 ±0.1dB (max, 20Hz to 20kHz)  
 THD + Noise:  
 -90dB or 0.003% (max, 20Hz to 20kHz, @0dBFS)  
 Crosstalk:  
 -100dB (max, 20Hz to 20kHz, measured channel connected at input)

S/N Ratio: 100dB (min)  
 Channel Phase: ±0.5° (max, 20Hz to 20kHz)  
 Output Impedance: 66Ω (nom, differential)  
 Adjustable Gain: -10dB to +10dB (0.5dB increments)

**Optical Input:**  
 Connector: SC/PC, ST/PC, FC/PC female housing  
 Input Wavelength: 1270 to 1610nm  
 Input Power (Max): 0dBm  
 Input Optical Sensitivity: -28dBm

#### Electrical:

Voltage: 12V DC  
 Power:  
 7707AR-A8: 13.5W (max)  
 7707AR-A12: 18.5W (max)  
 EMI/RFI: Complies with FCC Part 15, Class A  
 EU EMC Directive

#### Physical:

7700 frame mounting:  
 Number of Slots:  
 7707AR-A8: 1 slot  
 7707AR-A12: 2 slots  
 7701 frame mounting:  
 Number of Slots: 1 slot

### Ordering Information

**7707AR-A8** Eight Channel Analog Audio Fiber Receiver, Demux VistaLINK® Monitoring  
**7707AR-A12** Twelve Channel Analog Audio Fiber Receiver, Demux VistaLINK® Monitoring

**Ordering Options** Rear Plate and Fiber Connector must be specified at time of order  
 Eg: Model +SC +3RU

**Rear Plate Suffix**  
**+3RU** 3RU Rear Plate for use with 7700FR-C Multiframe  
**+1RU** 1RU Rear Plate for use with 7701FR Multiframe  
**+SA** Standalone Enclosure Rear Plate

**Connector Suffix**  
**+SC** SC/PC  
**+ST** ST/PC  
**+FC** FC/PC

#### Fiber Optic Patch Cable

**CB-FP1M-SCPC** Single mode fiber cable, 1m, SC/PC male termination  
**CB-FP1M-STPC** Single mode fiber cable, 1m, ST/PC male termination  
**CB-FP5M-SCPC** Single mode fiber cable, 5m, SC/PC male termination  
**CB-FP5M-STPC** Single mode fiber cable, 5m, ST/PC male termination  
**CB-FP10M-SCPC** Single mode fiber cable, 10m, SC/PC male termination  
**CB-FP10M-STPC** Single mode fiber cable, 10m, ST/PC male termination

#### Enclosures

**7700FR-C** 3RU Multiframe which holds up to 15 single slot modules  
**7701FR** 1RU Multiframe which holds up to 3 single or dual slot modules  
**S7701FR** Standalone enclosure