

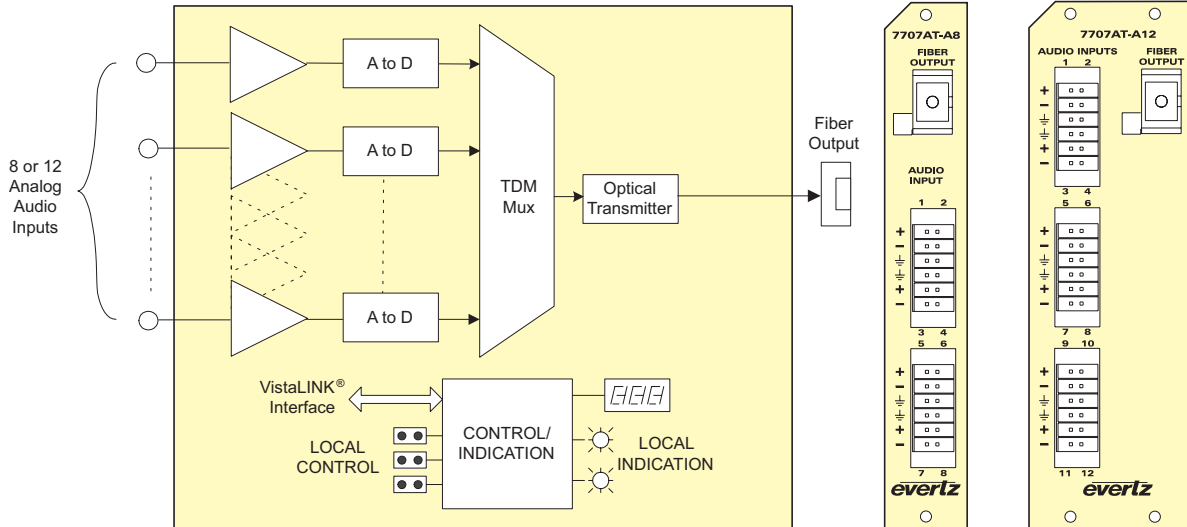


# 7707AT-A8 & 7707AT-A12

## 8/12 Channel Analog Audio Fiber Transmitter Mux

### Features & Benefits

- Eight or twelve professional quality analog audio fiber optic transmitter
- Adjustable audio detection for each channel
- Audio monitoring via card-edge headphone jack with adjustable volume
- All configuration settings controllable through the card-edge user interface, or remotely through SNMP and VistaLINK®
- Optical output wavelengths of 1310nm, 1550nm, and up to sixteen CWDM wavelengths (ITU-T G.694.2 compliant)
- DWDM wavelengths also available (ITU-T G.694.1 compliant)
- Supports single-mode and multi-mode fiber optic cable
- SC/PC, ST/PC, or FC/PC fiber connector options
- Fully hot-swappable from front of frame
- Comprehensive signal and card status monitoring via four digit card edge display or remotely through SNMP and VistaLINK®
- VistaLINK® capability is available when modules are used with the 3RU 7700FR-C frame and a 7700FC VistaLINK® Frame Controller module in slot 1 of the frame



### Specifications

<b>Analog Audio Inputs:</b> Number of Inputs: 7707AT-A8: 8 7707AT-A12: 12 Connectors: Multi-pin Removable Terminal Blocks Input Level: +24dBu (max) Frequency Response: ±0.1dB (max, 20Hz to 20kHz) -90dB or 0.003% (max, 20Hz to 20kHz, @0dBFS) Crosstalk: -100dB (max, 20Hz to 20kHz, measured channel connected at input) S/N Ratio: 100dB (min) Channel Phase: ±0.5° (max, 20Hz to 20kHz) Input Impedance: 10kΩ (min, differential) Resolution: 24 Bits	<b>Optical Output:</b> Connector: SC/PC, ST/PC, FC/PC female housing Output Wavelengths: See Ordering Information Output Power: 1310nm FP (Standard): -7dBm (nom) ±1dBm 0dBm (nom) ±1dBm +7dBm (nom) ±1dBm <b>Electrical:</b> Voltage: 12V DC Power: 7707AT-A8: Non DWDM Laser: 8W (max) DWDM Laser: 10W (max) 7707AT-A12: Non DWDM Laser: 10W (max) DWDM Laser: 12W (max)	<b>Physical:</b> 7700 frame mounting: Number of Slots: 7707AT-A8: 1 slot 7707AT-A12: 2 slots 7701 frame mounting: Number of Slots: 1 slot <b>Compliance:</b> Electrical Safety: CSA Listed to UL 60065-03, IEC 60065 Complies with CE Low voltage Directive Class 1 laser product Complies with 24 CFR 1040.10 and 1040.11 IEC 60825-1 Laser Safety: EMI/RFI: Complies with FCC Part 15, Class A EU EMC Directive
---	--	--

### Ordering Information

<b>7707AT13-A8</b>	Eight channel Analog Audio Fiber Transmitter Mux, 1310nm FP, VistaLINK®
<b>7707AT15-A8</b>	Eight channel Analog Audio Fiber Transmitter Mux, 1550nm DFB, VistaLINK®
<b>7707AT13-A12</b>	Twelve channel Analog Audio Fiber Transmitter Mux, 1310nm FP, VistaLINK®
<b>7707AT15-A12</b>	Twelve channel Analog Audio Fiber Transmitter Mux, 1550nm DFB, VistaLINK®

*For CWDM, please refer to the end of the fiber section for ordering information*  
**7707ATxxx-A8** Eight channel Analog Audio Fiber Transmitter Mux, CWDM wavelength  
**7707ATxxx-A12** Twelve channel Analog Audio Mux Fiber Transmitter, CWDM wavelength

*For DWDM, please refer to the end of the fiber section for ordering information*  
**7707ATDxxx-A8** Eight channel Analog Audio Mux Fiber Transmitter, DWDM wavelength  
**7707ATDxxx-A12** Twelve channel Analog Audio Mux Fiber Transmitter, DWDM wavelength

**Ordering Options** Rear Plate and Fiber Connector must be specified at time of order  
 Eg: Model +SC +3RU

<b>Rear Plate Suffix</b>	
<b>+3RU</b>	3RU Rear Plate for use with 7700FR-C Multiframe
<b>+1RU</b>	1RU Rear Plate for use with 7701FR Multiframe
<b>+SA</b>	Standalone Enclosure Rear Plate

<b>Connector Suffix</b>	
<b>+SC</b>	SC/PC
<b>+ST</b>	ST/PC
<b>+FC</b>	FC/PC

**Fiber Optic Patch Cable**  
 please refer to the end of the fiber section for details

<b>Enclosures</b>	
<b>7700FR-C</b>	3RU Multiframe which holds up to 15 single slot modules
<b>7701FR</b>	1RU Multiframe which holds up to 3 single or dual slot modules
<b>S7701FR</b>	Standalone enclosure