

# 7707BPX

## 2x1 Optical Bypass Protection Switch



The 7707BPX is a wide band 2x1 optical protection switch that provides auto-changeover functionality by detecting changes in the optical input power level.

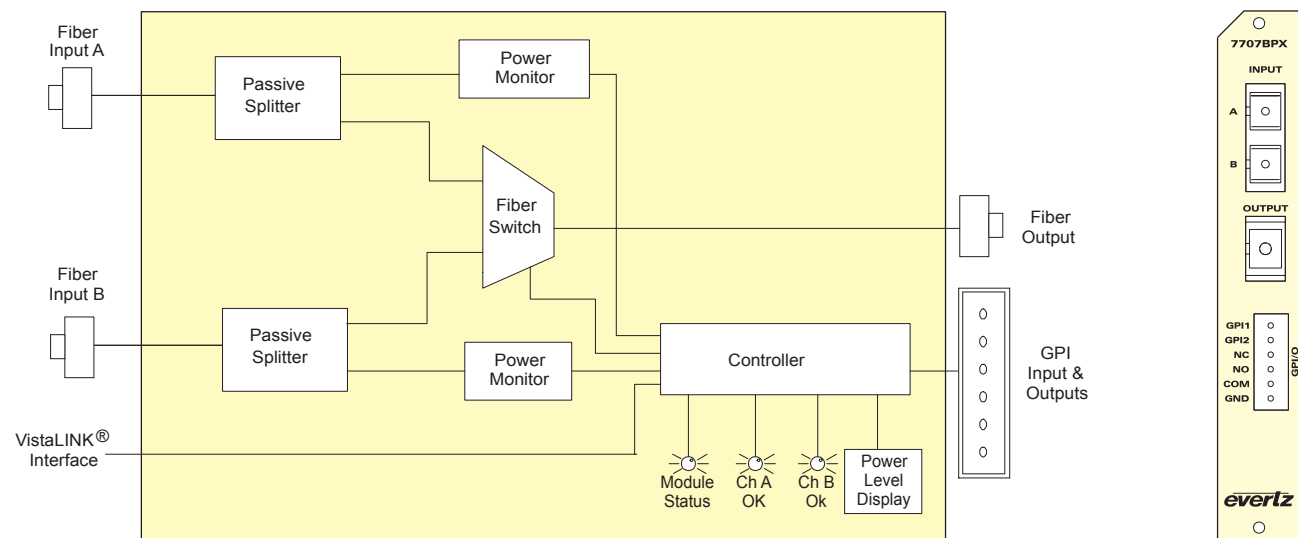
The 7707BPX has integrated VistaLINK® technology for remote control and monitoring capability via SNMP. This provides the user with the ability to locally or remotely configure and monitor parameters such as module status, selected input, power level and switching threshold.

In the application of auto-changeover, the 7707BPX can be configured to have a MAIN input and a STANDBY input. In this configuration, it will automatically switch to the Standby input when the Main input power is weak or lost. It can also be configured to have auto or manual switch back to the Main input when the signal is re-established.

The 7707BPX occupies one card slot and can be housed in a 1RU frame which hold up to 3 modules or a 3RU frame which will hold up to 15 modules.

### Features & Benefits

- Intelligent auto-switching with input power detection and user-definable thresholds
  - Supports automatic or manual control via SNMP or GPI
  - Fully hot-swappable from front of frame with no fiber disconnect/reconnect required
  - Accepts any wavelength in the 1270nm to 1610nm range
  - Supports single-mode fiber optic cable
  - SC/PC, ST/PC or FC/PC fiber connector options
  - Comprehensive signal and card status monitoring via four digit card edge display or remotely through SNMP and VistaLINK® capability
- \*7707BPX to be used ONLY in Single Mode Fiber applications*



### Specifications

**Optical Input/Output:**  
 Number: 3 Bi-directional optical signals  
 Connector: SC/PC, ST/PC, FC/PC Female Housing  
 Insertion Loss: < 3dB  
 Switch Time: < 30ms  
 Max. Input Power: 5dBm  
 Input Optical Sensitivity: -40dBm  
 Operating Wavelength: 1270nm to 1610nm  
 Fiber Size: 9µm core/125µm overall

**General Purpose Inputs:**  
 Number of Inputs: 2  
 Type: Opto-isolated, active low with internal pull-ups to +5V  
 Connector: 2 pins plus ground on 6-pin terminal strip  
 Signal Level:  
 +5V Pullup: Low: -5 to +2.5V DC, High: 3.5 to 10V DC  
 +12V Pullup: Low: -5 to +9.5V DC, High: 10.5 to 15V DC  
 Max Sink Current: (input shorted to ground) 15 mA  
 Max Leakage Current for input High: 200µA

**General Purpose Outputs:**  
 Number of Outputs: 1  
 Type: "Dry Contact" relay contacts - normally open & normally closed contact provided  
 Connector: 3 pins on 6-pin terminal strip

**Electrical:**  
 Voltage: +12V DC  
 Power: 3W  
 EMI/RFI: Complies with FCC Part 15, Class A EU EMC Directive

**Physical:**  
 Number of Slots: 1

### Ordering Information

**7707BPX** 2x1 Optical Bypass Protection Switch

**Ordering Options** Rear Plate and Fiber Connector must be specified at time of order  
 Eg. Model +3RU +SC

**Rear Plate Suffix**  
 +3RU 3RU Rear Plate for use with 7700FR-C Multiframe  
 +1RU 1RU Rear Plate for use with 7701FR Multiframe  
 +SA Standalone Enclosure Rear Plate

**Connector Suffix**  
 +SC SC/PC  
 +ST ST/PC  
 +FC FC/PC

**Enclosures**  
 7700FR-C 3RU Multiframe, which holds up to 15 single slot modules  
 7701FR 1RU Multiframe, which holds up to 3 single or dual slot modules  
 S7701FR Standalone enclosure

