

7707CVR-4, 7707CVR-4-A16

Quad Analog Video and 16 Analog Audio Fiber Receiver

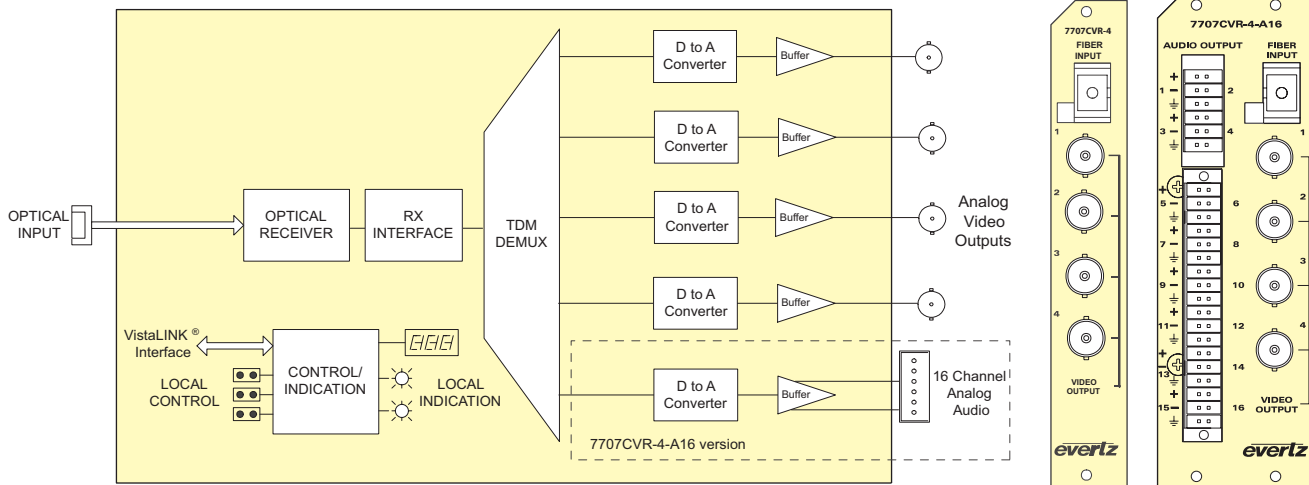


The 7707CVR-4 and 7707CVR-4-A16 are VistaLINK®-capable, composite analog analog/video fiber receivers for broadcast quality analog video and audio signals. These single card modules accept fiber optic input from their companions 7707CVT-4 and 7707CVT-4-A16 fiber transmitters, demultiplexes the signals, performs D to A conversion and outputs NTSC or PAL analog video and audio.

The 7707CVR-4 occupies a single slot where as the 7707CVR-4-A16 occupies two card slots and can be housed in a 1RU frame which will hold up to 3 modules, a 7800FR 3RU frame which will hold up to 15 single slot modules, a 350FR portable frame which will hold up to 7 single slot modules or a standalone enclosure that will hold 1 module.

►Features & Benefits

- Single card fiber optic receiver for up to four analog video, 16 analog audio signals
- Supports both NTSC and PAL video signals
- Broadcast quality analog video and audio performance
- Meets or exceeds EIA/TIA RS250-C short haul specifications for analog video transport
- Adjustable gain, DC offset and pre-emphasis for up to 250m of Belden 1694A coaxial cable
- Comprehensive signal and card status monitoring via four digit card edge display or remotely through SNMP and VistaLINK®
- VistaLINK® capability is available when modules are used with the 3RU 7800FR or 350FR portable frame and a 7700FC VistaLINK® Frame Controller module slot 1 of the frame
- Fully hot-swappable from front of frame with no fiber disconnect/reconnect required
- Supports single-mode and multi-mode fiber optic cable
- Accepts any wavelength in the 1270nm to 1610nm range



►Specifications

Optical Input: Number of Inputs: 1 Connector: Female SC/PC, ST/PC, FC/PC Operating Wavelength: 1270nm to 1610nm Max. Input Power: 0dBm Optical Sensitivity: Standard: -23dBm High Sensitivity: -28dBm	Pre-Emphasis: Cable loss compensation for up to 250m of Belden 1694A (each output adjustable separately) Passband Ripple: NTSC: $\leq \pm 0.1\text{dB}$ to 4.1MHz and $\leq \pm 0.2\text{dB}$ to 5.5MHz PAL: $\leq \pm 0.1\text{dB}$ to 4.8MHz and $\leq \pm 0.2\text{dB}$ to 5.8MHz Chroma/Luma Gain: 98%-103% Chroma/Luma Delay: NTSC: $< 5\text{ns}$ PAL: $< 12\text{ns}$ Line Time Distortion: 1.2%	SNR (weighted): $> 85\text{dB}$ Output Level Adj: -20dB to +3dB Max Output Level: +24dBu into 10k Ω loads Electrical: Voltage: +12V DC Power: 12W
Analog Video Outputs: Standards: NTSC, SMPTE 170M, PAL, ITU-R624-4 Number of Outputs: 4 Connector: 1 BNC per IEC 61169-8 Annex A System bandwidth: 5.5MHz Output Level: 1V p-p (nominal), 2V p-p maximum Gain: Unity gain nominal, adjustable 50% to 150% Output Impedance: 75 Ω Return Loss: $> 20\text{dB}$ SNR: $> 70\text{dB}$ Differential Gain: $< 1.0\%$ Differential Phase: $< 0.7^\circ$	Analog Audio Outputs (7707CVR-4-A16): Number of Outputs: 16 Type: Balanced analog audio Connector: 48-pin removable terminal block Output impedance: 66 Ω Freq. Response: $\pm 0.1\text{dB}$, 20Hz to 20kHz THD 20Hz-20kHz: $< 0.005\%$ Channel Phase Diff.: $\pm 1^\circ$	Physical (number of slots): 7707CVR-4: 350FR: 1 7700FR-C: 1 7800FR: 1 7707CVR-A16: 350FR: 2 7700FR-C: 2 7800FR: 2

►Ordering Information

7707CVR-4	Quad Analog Video Fiber Receiver, VistaLINK®
7707CVR-4-H	Quad Analog Video Fiber Receiver, High Sensitivity, VistaLINK®
7707CVR-4-A16	Quad Analog Video, 16 Analog Audio, Fiber Receiver, VistaLINK®
7707CVR-4-A16-H	Quad Analog Video, 16 Analog Audio, Fiber Receiver, High Sensitivity, VistaLINK®

Connector Suffix	
+SC	SC/PC
+ST	ST/PC
+FC	FC/PC

Ordering Options Rear Plate and Fiber Connector must be specified at time of order
 Eg: Model +SC +3RU

Rear Plate Suffix	
+3RU	3RU Rear Plate for use with 350FR, 7700FR-C or 7800FR Multiframe
+1RU	1RU Rear Plate for use with 7701FR Multiframe
+SA	Standalone Enclosure Rear Plate

Enclosures	
350FR	3RU Portable Multiframe which holds up to 7 single slot modules
7700FR-C	3RU Multiframe which holds up to 15 single slot modules
7800FR	3RU Multiframe which holds up to 15 single slot modules
7701FR	1RU Multiframe which holds up to 3 single or dual slot modules
S7701FR	Standalone Enclosure

