

# 7707ET

## Ethernet Fiber Transceiver

The 7707ET is a VistaLINK®-capable Ethernet Fiber Transceiver that provides an economical method of transmitting two 10BaseT Ethernet channels or one 100Base-TX Ethernet channel over optical fiber. The transceiver is IEEE 802.3 10BASE-T and IEEE 802.3u 100BASE-TX compliant. It mediates between a 10/100BASE-TX segment and supports both full duplex and half-duplex operation. Monitoring of card status and parameters is provided locally at the card edge and remotely via VistaLINK®. A pair of 7707ET transceivers permits full duplex communication over single or dual optical fibers. Diagnostic LEDs provide indication of power, link status and data reception.

The 7707ET occupies one card slot and can be housed in a 1RU frame that will hold up to 3 modules, a 3RU frame that will hold up to 15 modules, a 350FR portable frame that will hold up to 7 modules or a standalone enclosure which holds 1 module.

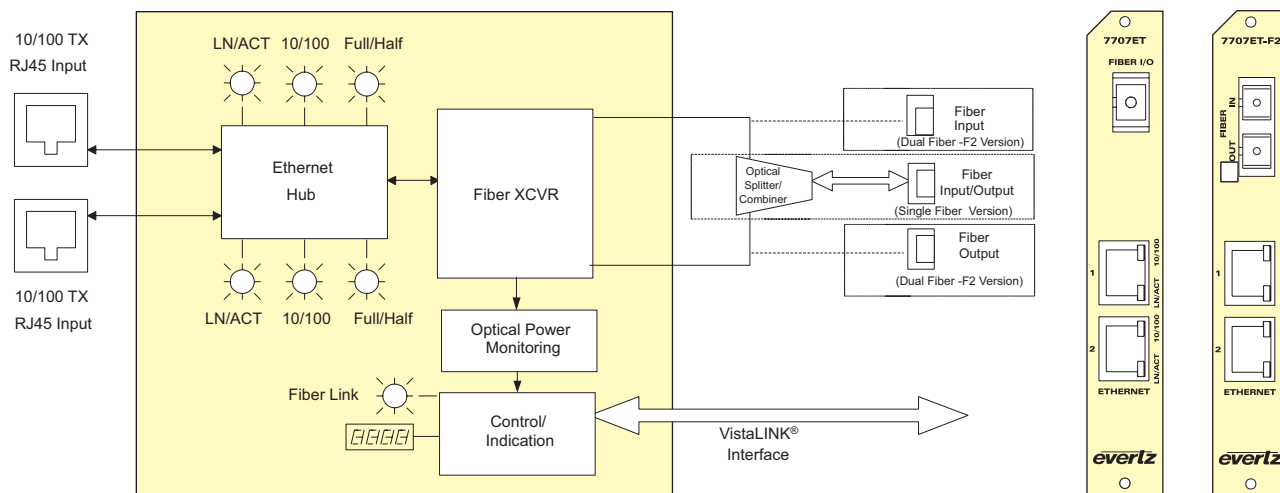
### ►Features & Benefits

- 2 (10 Base T) Ethernet channels or 1 (100 Base TX) Ethernet channel
- Auto negotiation for 10/100 speed and half/full duplex modes
- Comprehensive signal and card status monitoring via four digit card edge display or remotely through SNMP and VistaLINK®
- VistaLINK® capability is available when modules are used with the 3RU 7800FR or 350FR frame and a 7700FC VistaLINK® Frame Controller module in slot 1 of the frame
- Local display of optical signal strength, link parameters and link status
- Optical output available in 1310nm, 1550nm and up to sixteen CWDM wavelengths (ITU-T G.694.2 compliant)
- DWDM wavelengths (ITU-T G.694.1 compliant) also available
- Supports single-mode and multi-mode fiber optic cable

- Fully hot-swappable from front of frame with no fiber or Ethernet channel disconnect required
- SC/PC, ST/PC or FC/PC connector options

### Status Indicators

- Frame Status
- 10/100 speed indication for all copper ports
- Full duplex/Collision indication for all copper ports
- Link activity for copper port
- Received optical power level
- Fiber link indication



### ►Specifications

#### Ethernet Input/Output:

Standard : IEEE 802.3 (10 BaseT), IEEE 802.3u (100 BaseTX)  
 Connector: Two RJ45s  
 Impedance: 100Ω  
 Number of channels: 2 (10Base-T) or 1 (100BaseTX)  
 Cable Requirements:  
 10 BaseT : UTP category 3,4 or 5 cable up to 328ft/100m (2 pairs)  
 100 BaseTX : UTP category 5 cable up to 328 ft/100m (2 pairs)

#### Optical Input/Output:

Connector:  
 Single Fiber Versions:  
 1 Female SC/PC, ST/PC or FC/PC  
 Dual Fiber (F2) Versions:  
 2 Female SC/PC, ST/PC or FC/PC  
 Input wavelengths: 1270nm-1610nm  
 Max. Input Power: -1dBm  
 Optical Sensitivity:  
 WDM (-w version) -26dBm  
 Standard: -27dBm  
 Wavelengths:  
 Standard: 1310nm, 1550nm  
 CWDM: 1270nm - 1610nm  
 DWDM: C-Band (ITU-T G.694.1 compliant)  
 Output Power:  
 1310nm FP: -7dBm ±1dBm  
 1310nm (-W): -1dBm ±1dBm  
 1550nm, CDWM (DFB):  
 0dBm ± 1dBm  
 DWDM (DFB): +7dBm ± 1dBm

#### Electrical:

Voltage: 12V  
 Power: 6W (Non DWDM)  
 8W (DWDM)

#### Physical (number of slots):

350FR: 1  
 7700FR-C: 1  
 7800FR: 1

#### Compliance:

Laser Safety: Class 1 laser product  
 Complies with 24 CFR 1040.10 and 1040.11  
 IEC 60825-1  
 EMI/RFI: Complies with FCC Part 15, Class A  
 EU EMC Directive



►Ordering Information

<b>7707ET13M-W</b>	Ethernet Fiber Transceiver - Single Fiber, WDM, 1310nm, FP TX, RX on 1550nm, VistaLINK®
<b>7707ET15-W</b>	Ethernet Fiber Transceiver, single fiber, WDM, 1550nm DFB TX, RX on 1310nm, VistaLINK®
<b>7707ET13-F2</b>	Ethernet Fiber Transceiver - Dual Fiber, 1310nm, FP Laser, VistaLINK®
<i>For CWDM, please refer to the end of the fiber section for ordering information</i>	
<b>7707ETxx-F2</b>	Ethernet Fiber Transceiver - Dual Fiber, CWDM, DFB Laser, VistaLINK®
<i>For DWDM, please refer to the end of the fiber section for ordering information</i>	
<b>7707ETDxxx-F2</b>	Ethernet Fiber Transceiver, dual fiber, DWDM TX, VistaLINK®

**Ordering Options** Rear Plate and Fiber Connector must be specified at time of order  
Eg: Model +SC +3RU

**Rear Plate Suffix**  
**+3RU** 3RU Rear Plate for use with 350FR, 7700FR-C or 7800FR Multiframe  
**+1RU** 1RU Rear Plate for use with 7701FR Multiframe  
**+SA** Standalone Enclosure Rear Plate

**Connector Suffix**  
**+SC** SC/PC  
**+ST** ST/PC  
**+FC** FC/PC

**Enclosures**  
**350FR** 3RU Portable Multiframe which holds up to 7 single slot modules  
**7700FR-C** 3RU Multiframe which holds up to 15 single slot modules  
**7800FR** 3RU Multiframe which holds up to 15 single slot modules  
**7701FR** 1RU Multiframe which holds up to 3 single or dual slot modules  
**S7701FR** Standalone Enclosure

