

7780DEC-MP2HD

HD MPEG-2 Decoder

As broadcasters, cable companies, satellite providers and IPTV companies are moving to a all digital domain, all distribution is done in the compressed domain. These service providers have a need for a versatile, easy to use, cost effective pro video decoder.

The 7780DEC-MP2HD is a professional high quality MPEG-2 SD and HD decoder card. It offers high end SD and HD decoding of a signal coming from ASI

The 7780DEC-MP2HD is perfect for monitoring applications or decoding for downstream baseband video and audio processing.

The 7780DEC-MP2HD can reconstruct in the most flexible way all VANC & HANC data in the HD/SDI output.

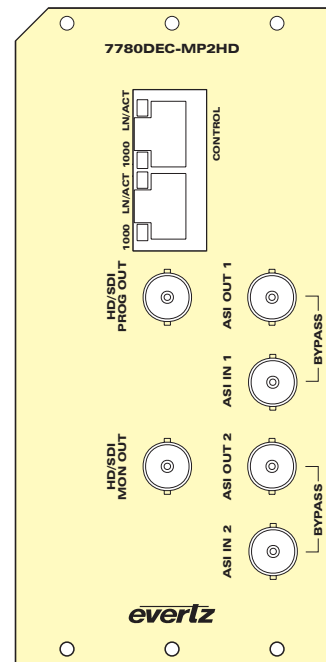
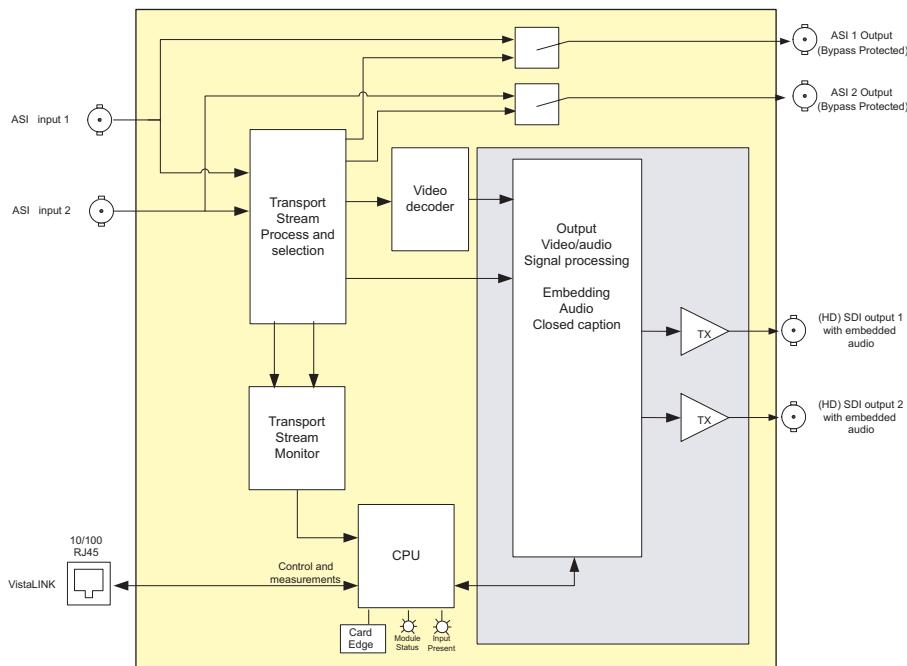
The front end of the 7780DEC-MP2HD includes ASI and DVB TR101290 measurements. The 7780DEC-MP2HD offers 2 ASI inputs switchable.

The 7780DEC-MP2HD can be coupled with Evertz RF front end (7780DM2-LB DVB-S2 demodulator) and Evertz downstream video and audio processing equipment to create a complete versatile integrated receiver/decoder.

The 7780DEC-MP2HD supports 4:2:0 video decoding but can be upgraded to full HD 4:2:2 video decoder. (+422 option.)

►Features & Benefits

- 1xSD or HD 4:2:0 Video Decoder (422 optional)
- 2xASI
- Selection of decoded service (from ASI1 or ASI2)
- 2x(HD) SDI with embedded audio and ancillary data mirrored outputs
- Monitoring of ASI
- Fully integrated with the industry leading VistaLINK® PRO system



►Specifications

Inputs and outputs:

- 2 ASI Input per DVB TR 101 891-270Mb/s Maximum Bitrate 180Mb/s
- 2 SDI/HDSI outputs following SMPTE 259M/SMPTE 292M

Table presence and repetition:

- DVB SI repetition error (NIT, SDT, EIT, RST, TDT)
- ATSC PSIP tables repetition error (MGT, TVCT, CVCT, EIT, RRT, STT)

Embedding of HANC & VANC:

- Audio Pass Through (AC-3, DolbyE™)
- Closed Caption
- Teletext

MPEG-2 TS MEASUREMENTS	
TR101290 P1	TR101290 P2
1.1 TS_sync_loss	2.1 Transport_error
1.2 Sync_byte_error	2.2 CRC_error
1.3 Pat_error	2.3 PCR_error
1.4 Continuity_count_error	2.4 PCR_accuracy_error
1.5 PMT_error	2.5 PTS_error
	2.6 CAT_error

Decoding Specifications:

- Video Decoder:
SD Encoding Standard Supported:
MPEG-2 Main Profile @ Main Level
Standard definition 525 (NTSC) and 625 (PAL)
- HD Encoding Standard Supported:
MPEG-2 Main Profile @ High Level
HD 720P and 1080I
60Hz and 50Hz
- Audio Decoder: MPEG-1 Layer 2 Decoder x 4

Electrical:

Power: 41W

Physical (Number of Slots):

350FR: 3
7700FR-C: 3
7800FR: 3

►Ordering Information

7780DEC-MP2HD	HD MPEG2 Decoder
Ordering Options	Rear Plate must be specified at time of order Eg. Model +3RU
+422	Optional 4:2:2 HD MPEG-2 Decoder
Rear Plate Suffix +3RU	3RU Rear Plate for use with 7700FR-C Multiframe

Enclosures
350FR
7700FR-C
7800FR

3RU Portable Multiframe which holds up to 7 single slot modules
3RU Multiframe which holds up to 15 single slot modules
3RU Multiframe which holds up to 15 single slot modules