

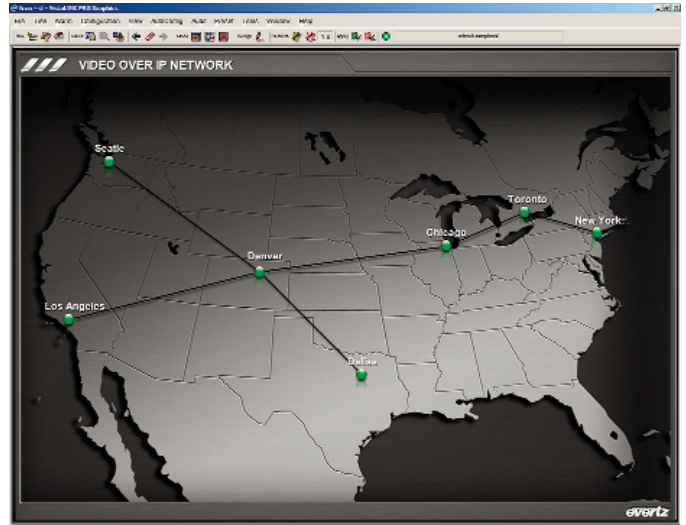
7780IP-ASI2

Dual Channel IP to ASI De-encapsulator

The 7780IP-ASI2 is a complete hardware based solution for de-encapsulating MPEG-2 transport streams from IP to ASI. As more providers are trying to deliver contribution and distribution quality video over IP networks, the 7780IP-ASI2 is capable of bridging traditional compressed world (ASI) with the standard IP networks.

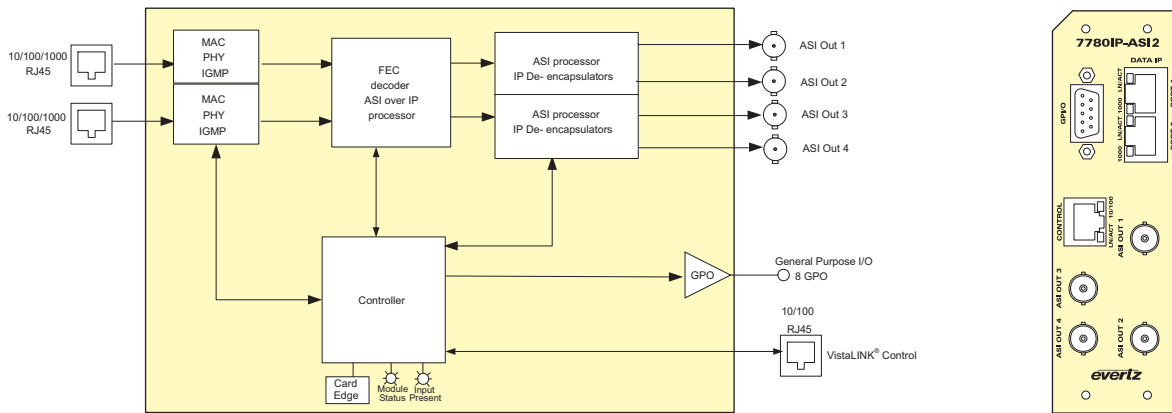
Controlled by the industry leading VistaLINK® PRO, the 7780IP-ASI2 offers signal providers the capability to de-encapsulate two IP streams carrying MPEG-2 transport stream payload to standardized ASI streams. For contribution application the 7780IP-ASI2 offers industry standard FEC decoding to allow data recovery in case of transmission problem in the IP cloud. It offers real time FEC statistics for IP link quality monitoring. The 7780IP-ASI2 offers basic MPEG-2 TS input monitoring for detecting problems prior to the de-encapsulator. The 7780IP-ASI2 MPEG over IP de-encapsulator can be paired to the 7780ASI-IP2 encapsulator for an end-to-end solution.

The 7780IP-ASI2 occupies two card slots and can be housed in a 1RU frame which will hold up to three modules, a 3RU frame which will hold up to 7 modules or a standalone enclosure.



►Features & Benefits

- Fully integrated with the Industry leading Evertz® VistaLINK® PRO NMS system
- 2 IP inputs and 4 ASI outputs
- Bitrate measurement and basic monitoring on MPEG-2 streams
- Subscription to desired multicast using IGMP- V2/V3
- De-encapsulation of MPEG-2 TS to 2 separate ASI outputs.
- FEC decoding- Pro MPEG forum code of practice #3- release 2<cop3>
- Complete customization of status view and error report in VistaLINK® PRO
- Built-in frame controller for control



►Specifications

Inputs and outputs:

- 2xRJ45 10/100/1000 GigaE input for MPEG over IP
- 4xASI outputs per DVB TR 101 891-270Mb/s
- Min ASI TS output bitrate 100kb/s
- Max total ASI TS output bitrate 213Mb/s
- 1xRJ45 10/100 control port
- 1xDB25 Output relay (8 GPO)

De-encapsulation parameters:

- De-encapsulation of MPEG-2 packets following: MAC 802.3>IPV4>(RTP)>UDP>MPEG
- Accept 1 to 7 MPEG packets per IP frame
- FEC decoding (Pro MPEG forum code of practice #3- release 2<cop3>) with L&D following the following range:
 - $L \cdot D \leq 100$
 - $1 \leq L \leq 20$
 - $4 \leq D \leq 20$
- Join Multicast by providing correct messaging using IGMP V2/V3
- Selection of the UDP ports, IP Addresses
- Set Local MAC address of the equipment

Basic included monitoring IP input:

- FEC statistics:
 - Uncorrectable packets
 - Corrected packets
 - Corrected packets per FEC period
- TS presence
- TS total bitrate
- TR101290 P.1.4 Continuity_count_error

Electrical:

- Voltage: +12V DC
- Power: 20W

Physical (Number of Slots):

- 350FR: 2
- 7700FR-C: 2
- 7800FR: 2

►Ordering Information

7780IP-ASI2 Dual Channel IP to ASI De-encapsulator

Ordering Options Rear Plate must be specified at time of order
Eg. Model +3RU

Rear Plate Suffix

- +3RU 3RU Rear Plate for use with 350FR, 7700FR-C or 7800FR Multiframe
- +1RU 1RU Rear Plate for use with 7701FR Multiframe
- +SA Standalone Enclosure Rear Plate

Enclosures

- 350FR
- 7700FR-C
- 7800FR
- 7701FR
- S7701FR

- 3RU Portable Multiframe which holds up to 7 single slot modules
- 3RU Multiframe which holds up to 7 single slot modules
- 3RU Multiframe which holds up to 15 single slot modules
- 1RU Multiframe which holds up to 3 single or dual slot modules
- Standalone Enclosure

