

# 7780R2x1-ASI-CS

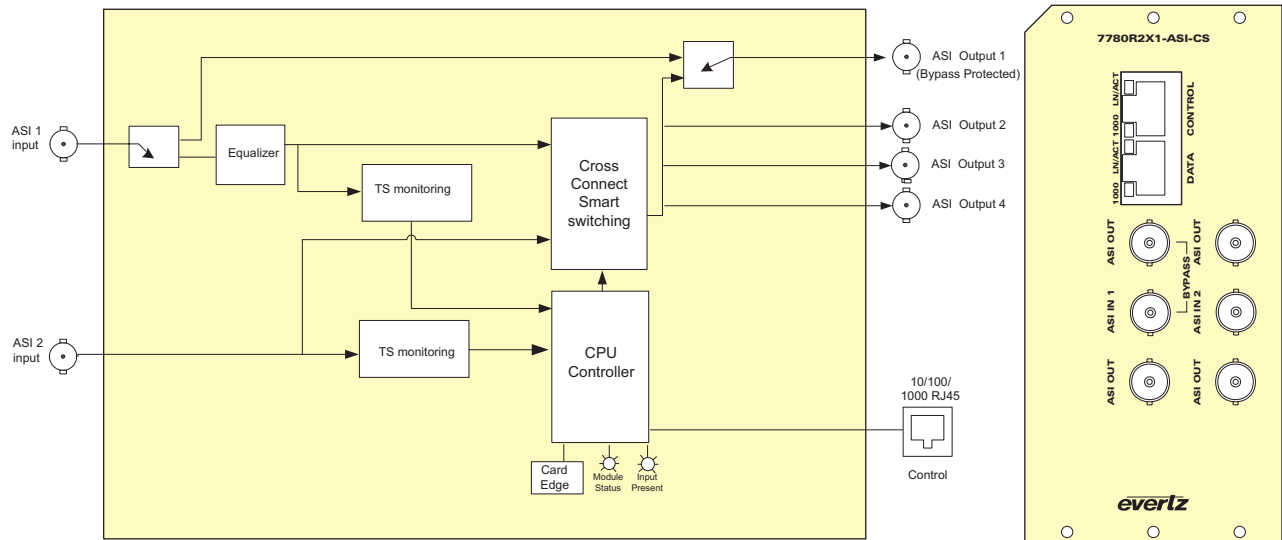
## Compressed TS Automatic Smart Switch

The 7780R2x1-ASI-CS is a complete hardware based solution for MPEG-2 feed redundancy switching. By providing automatic smart switching of the main signal to a back up signal, the 7780R2x1-ASI-CS offers protection to digital compressed signals.

Controlled by the industry leading VistaLINK® PRO, the 7780R2x1-ASI-CS offers signal providers the capability to design automatic redundancy into their system and alarm the operator the second a problem arises. By constantly monitoring the incoming signals, the 7780R2x1-ASI-CS is capable of knowing when the signals reach a point where they are no longer suitable for broadcast and automatically switches to a backup feed. The user can customize all monitored and switching rules to meet Broadcast, Cable, Satellite and IPTV needs.

### ►Features & Benefits

- Fully integrated with the Industry leading VistaLINK® PRO NMS system
- 2 ASI inputs and 1 ASI output
- TR101290 monitoring bitrate measurement and component matching test on all inputs
- Smart configuration of error threshold and switching rules to avoid false switching
- Delay of stream up to 3 seconds for perfect synchronization of incoming streams from different paths
- Complete TS data rate measurement from 100Kb/s to 213Mb/s with user settable measurement window
- Each PID bitrate measurement
- Display of Transport Stream tree
- Matching of PID assignment, with predefined PID list and TSID
- Complete customization of status view and error report in VistaLINK® PRO
- Fits in 7700 Chassis
- Built-in frame controller for control



### ►Specifications

#### Inputs and Outputs:

2xASI input per DVB TR 101 891-270Mb/s  
 Min ASI TS input bitrate 100kb/s,  
 Max ASI TS input bitrate 213Mb/s  
 4xASI output per DVB TR 101 891-270Mb/s  
 Min ASI TS output bitrate 100kb/s,  
 Max ASI TS output bitrate 213Mb/s  
 1xRJ45 10/100/1000 control port

#### Monitored Parameters:

TR101290 P1	TR101290 P2
1.1 TS_sync_loss	2.1 Transport_error
1.2 Sync_byte_error	2.2 CRC_error
1.3 Pat_error	2.3 PCR_error
1.4 Continuity_count_error	2.4 PCR_accuracy_error
1.5 PMT_error	2.5 PTS_error
	2.6 CAT_error

#### Tables & Repetition:

DVB SI repetition error (NIT, SDT, EIT, RST, TDT)  
 ATSC PSIP tables repetition error (MGT, TVCT, CVCT, EIT, RRT, STT)

#### PID Template:

TSIP  
 Pidlist  
 Bitrate Limits

#### Electrical:

Power: 41W  
 Voltage: 12VDC  
 EMI/RFI: Complies with FCC Part 15, Class A  
 EU EMC directive

#### Physical (number of slots):

350FR: 3  
 7700FR-C: 3  
 7800FR: 3

### ►Ordering Information

**7780R2x1-ASI-CS** Compressed TS automatic Smart Switch

**Ordering Options** Rear Plate must be specified at time of order  
 Eg: Model + 3RU

**Rear Plate Suffix**  
 +3RU 3RU Rear Plate for use with 350FR, 7700FR-C or 7800FR Multiframe  
 +SA Standalone Enclosure Rear Plate

**Enclosures**  
**350FR**  
**7700FR-C**  
**7800FR**  
**S7702FR**

3RU Portable Multiframe which holds up to 7 single slot modules  
 3RU Multiframe which holds up to 15 single slot modules  
 3RU Multiframe which holds up to 15 single slot modules  
 Standalone enclosure

