



## Model 3091A Outdoor Enclosure for L-Band Links using the 2990 Pro

EMCORE's Model 3091A Outdoor Enclosure (ODU) provides power and environmental protection for up to four 2990 Pro transmitters or receivers. With a weather-tight seal and all the necessary internal connections and mounting hardware, these ODU's may be placed directly at the antenna to provide greater flexibility in design.

Two AC to DC power supplies drive the four transmitters or receivers and provide enough additional current for four LNB's. Further, these power supplies are redundant, hot swappable and monitored with a summary alarm, so if one fails the facility staff can replace it and still maintain 100% signal availability. The individual transmitters and receivers also are hot swappable, thus can be replaced or reconfigured without upsetting any of the other RF paths.

### Applications

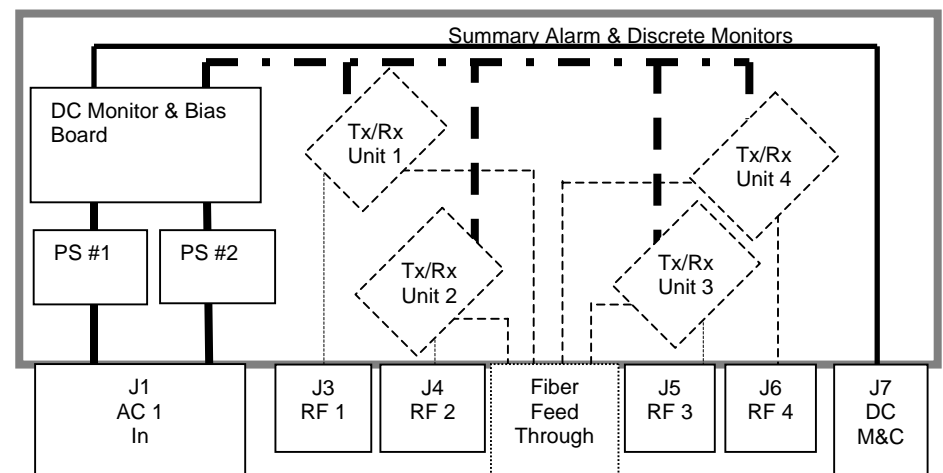
- TVRO
- Broadcast
- Earth Stations
- Headends
- VSAT
- GPS

### Features

- Weather Sealed
- Summary Alarm
- Redundant Power Supplies
- AC input of 95 to 264 VAC
- LNB Power
- Hot-swappable PS, Tx, & Rx
- Modular, Field-configurable
- Lightning Protected RF

### Performance Highlights

	Min	Typical	Max	Units
AC Input	95	--	240	VAC
LNB Power, total	--	24	--	V
	--	--	1.2	A
Ambient Air Temperature	-30	--	50	°C



Information contained herein is deemed to be reliable and accurate as of issue date. EMCORE reserves the right to change the design or specifications of the product at any time without notice.

Ortel, the Ortel logo, EMCORE, and the EMCORE logo are trademarks of EMCORE Corporation.

**For more information on this and other products:**

Contact Mega Hertz at 800-883-8839, or visit [www.megahz.com](http://www.megahz.com).

**Model & Options**

3091A-P1-bbbb-cc-dd-e-f, for example 3091A-P1-FFEE-NN-R2-S-N

**Power Input, external connector (aa) (J1 – J2)**

Option	Description
P1	1 AC input driving 2 power supplies. (J1) Single Duplex Outlet (GFI AC power plug—North American Standard)
P2	2 AC input independently driving 2 power supplies. (J1 and J2) Single Duplex Outlet (GFI AC power plug—North American Standard)
C1	Conduit, 1 inch EMT

**RF external connector (bbbb) (J3 – J6)**

Option	Description
F	F-type, 75 Ohm
B	BNC 50 Ohm
E	Empty

**Discrete external connector (cc) (J7)**

Option	Description
DM	Discrete Monitor (16-wire, male)
GR	Feedthru grommet
CO	Conduit interface, 1 inch EMT
NN	None

**Monitor external connector (dd) (J8, J9, J10, J11)**

Option	Description
R1	RJ 45 plug (J8)
R2	RJ 45 plug, qty 2 (J8, J9)
R3	RJ 45 plug, qty 3 (J8, J9, J10)
R4	RJ 45 plug, qty 4 (J8, J9, J10, J11)
GR	Feedthru grommet (J8)
CO	Conduit interface, 1 inch EMT (J8)
NN	None

**SNMP Ethernet interface card (e)**

S	SNMP interface card
N	none

**Options (f)**

N	none (1 year warranty, standard labels)
2	2 year warranty
3	3 year warranty

**Environmental**

- Ambient outside air temperature: -30 to 50°C
- Storage temperature: -40°C to +85°C
- Start Up Temperature: 0°C min
- Humidity, non-condensing: 5 to 95%
- Absolute Maximum Rating (damage may occur beyond these limits) < -30°C and > +70°C

**Electrical**

**External Power Input (J1 & J2)**

**AC Interface Option**

Compatible with 0.5 inch cable diameters and styles.

Pin 1 is Hot, Pin 2 is Neutral and Pin 3 is Ground.

Parameters	Symbol	Min	Typ	Max	Unit
AC Voltage		95	--	240	VAC
AC Current		--	--	2	Amps

Circuit Breaker Switch: 5 amp trigger

**Controls and Monitor**

PCBA J3 (DB 15) Pin No.	3091A J7 (16 Pin Molex) Pin No.	Function
1	1	Ground
2	2	Summary Alarm
3	3	Summary Alarm
4	4	Power Supply – A
5	5	Power Supply – A
6	6	Power Supply – B
7	7	Power Supply – B
8	8	Unit 1
9	9	Unit 1
10	10	Unit 2
11	11	Unit 2
12	12	Unit 3
13	13	Unit 3
14	14	Unit 4
15	15	Unit 4
	16	No Connect

- Relays are all normally closed. Relays open for alarm condition or lack of power. Relays can pass 2 Amps.

**LEDs**

<b>Name</b>	<b>Label</b>	<b>Unit Type</b>
P1	DC Pwr	Rx
	RF / Opt Pwr	Tx
P2	Pwr Mon	Rx
	Pwr Mon	Tx
P3	Opt Pwr	Rx
	Pwr Mon	Tx
P4	Pwr Mon	Rx
	Pwr Mon	Tx
SA	Summary Alarm	
DO	Door Open	
PSA	Pwr Sply A	
PSB	Pwr Sply B	

**Switches**

Mechanical switches S1 – S8 allow the user to select if 2990 is present & if Tx or Rx.

**Digitally Monitored values**

For SNMP version unit status is available via Type 2 interface protocol.

**Transmitter and Receiver Kits**

These kits are to be ordered separately and can either be factory or field installed.

Kit 3091A, 2990P-T-FA with mounting plate, coaxial cable, lightning protector and dc harness

Kit 3091A, 2990P-T-SA with mounting plate, coaxial cable, lightning protector and dc harness

Kit 3091A, 2990P-R-FA with mounting plate, coaxial cable, lightning protector and dc harness

Kit 3091A, 2990P-R-SA with mounting plate, coaxial cable, lightning protector and dc harness

