

DA-DH/DHR6802+D

Dual 1x4 or Single 1x8 with Built-in ACO, 3 Gb/s/HD/SD/ASI

The DA-DHR6802+D dual distribution amplifier (DA) provides two channels of 3 Gb/s/HD/SDI/ASI/SMPTE310 video distribution with cable equalizing and reclocking. The DA-DH6802+D dual DA provides two channels of 3 Gb/s/HD/SDI/ASI/SMPTE310 video distribution with cable equalizing and is non-reclocking.

The DA-DH6802+D and DA-DHR6802+D dual DAs have four outputs for each input (two 1x4) and are user configurable to function as single-channel DAs with eight outputs (1x8).

The DA-DH6802+D and DA-DHR6802+D dual DAs feature broadcast-quality performance that exceeds SMPTE specifications. Software configuration of all parameters and remote indication of signal presence and alarms are standard.

The DA-DH6802+D and DA-DHR6802+D DAs provide 20 channels of 1x4 or 10 channels of 1x8 3 Gb/s/HD/SDI/ASI/SMPTE310 distribution in a 2RU 6800+ frame with low power consumption and non-inverting ASI compatibility on all outputs.

The DA-DH6802+D and DA-DHR6802+D protect your signal path with a unique automatic changeover (ACO) feature. With the built-in ACO, an automatic failover can be set to switch the primary input to the secondary with the loss of signal on the primary input. The user can select which input is designated as primary and which is designated as secondary. This further leverages your investment and allows a backup to live or sync feeds directly on this DA!

- 
- 
- 

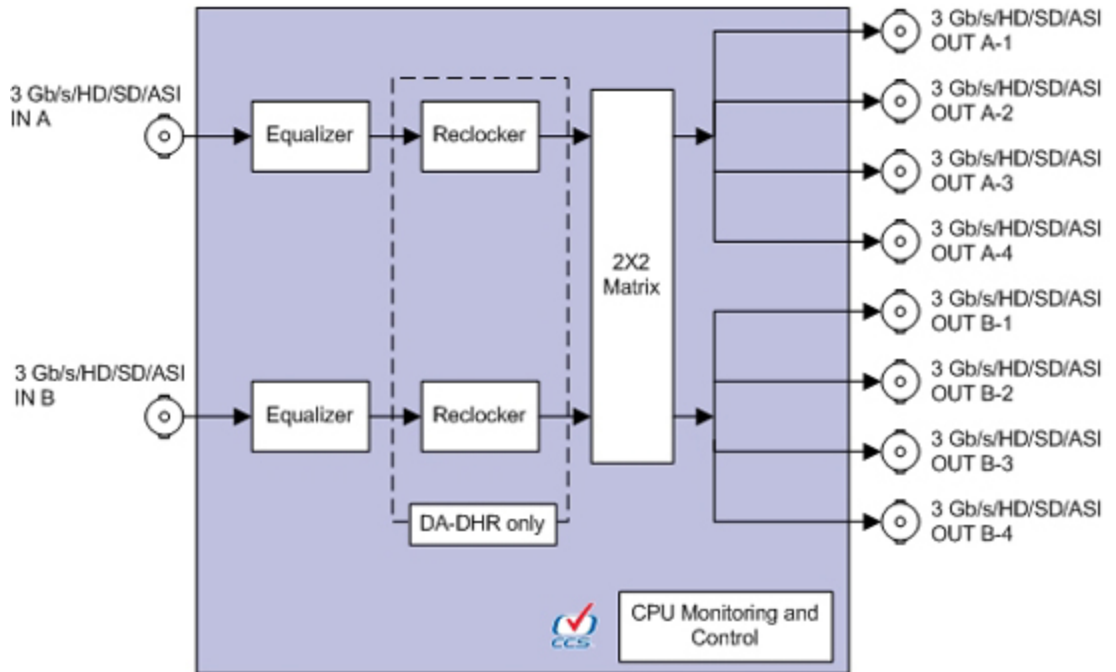
FEATURES

- Cost-effective DA with equalizing and reclocking (DA-DHR6802+D only)
- Dual 1x4 configurable as 1x8
- Automatic cable equalization on inputs
- Automatic or forced rate detection
- Reclocking with automatic or forced bypass (DA-DHR6802+D only)
- Identical polarity for ASI compatibility on all outputs

- Built-in ACO protection between inputs
- Feedback status reports input signals present
- Feedback status reports input signals locked
- Card-edge control with LED feedback
- Remote control with status and alarm
- 20 channels of 1x4 or 10 channels of 1x8 distribution in a 2RU 6800+ frame

IMAGES/DIAGRAMS

Block Diagram



Back Module



SPECIFICATIONS

Specifications and designs are subject to change without notice.

Signal type	3 Gb/s HD, SD, ASI
Connector	BNC (IEC169-8)
Impedance	75 ohms

Return Loss >15 dB to 1485 MHz
>10 dB to 2.97 Gb/s

Cable Equalization:

270 Mb/s >984 ft (350 m) Belden 1694 or equivalent
 1.485 Gb/s >492 ft (140 m) Belden 1694 or equivalent
 2.97 Gb/s >232 ft (70 m) Belden 1694 or equivalent

Number of Outputs 8
 Signal Type 3 Gb/s, HD, SDI, ASI
 Connector BNC (IEC169-8)
 Impedance 75 ohms
 Return Loss >15 dB to 1485 MHz
 >10 dB to 2.97 Gb/s
 Signal Amplitude 800 mV ± 10%
 DC Offset 0.0 V ± 0.5 V

Rise and Fall Time:

270 Mb/s 400-700 ps (20 to 80% amplitude)
 1.485 Gb/s <270 ps (20 to 80% amplitude)
 2.97 Gb/s <135 ps (20 to 80% amplitude)

Overshoot <10% of amplitude
 Jitter <0.2 UI peak-to-peak

Power Consumption <6.0 W

Propagation Delay

DA-DHR6802+ ~4 ns (for reference only)

Temperature

Operating Temperature 32°F to 122°F (0°C to 50°C)
 Performance Temperature (10°C to 40°C)

Start-Up Time

Start-up time for DA-DH6802+/DA-DHR6802+ modules is approximately 3 seconds.

ORDERING INFORMATION

DA-DH6802+D Dual 1x4 DA or single 1x8 with secondary back-up input and built-in ACO, 3 Gb/s/HD/SD/ASI non-reclocking, two slots

DA-DHR6802+D

Dual 1x4 DA or single 1x8 with secondary back-up input and built-in ACO, 3
Gb/s/HD/SD/ASI with reclocking, two slots

Provided by: Mega Hertz 800-883-8839 sales@go2mhz.com www.go2mhz.com