

# VDA6800+S/D

1x4 or 1x8, Analog Video

The VDA6800+ is a high-performance, high-reliability, cost-efficient, general-purpose analog video distribution amplifier (DA). Composite and component analog NTSC, PAL, SECAM signals (with sync or without sync), sub-carrier, and coaxial version AES digital audio signals can be amplified with the VDA6800+ in 6800+ series frames.

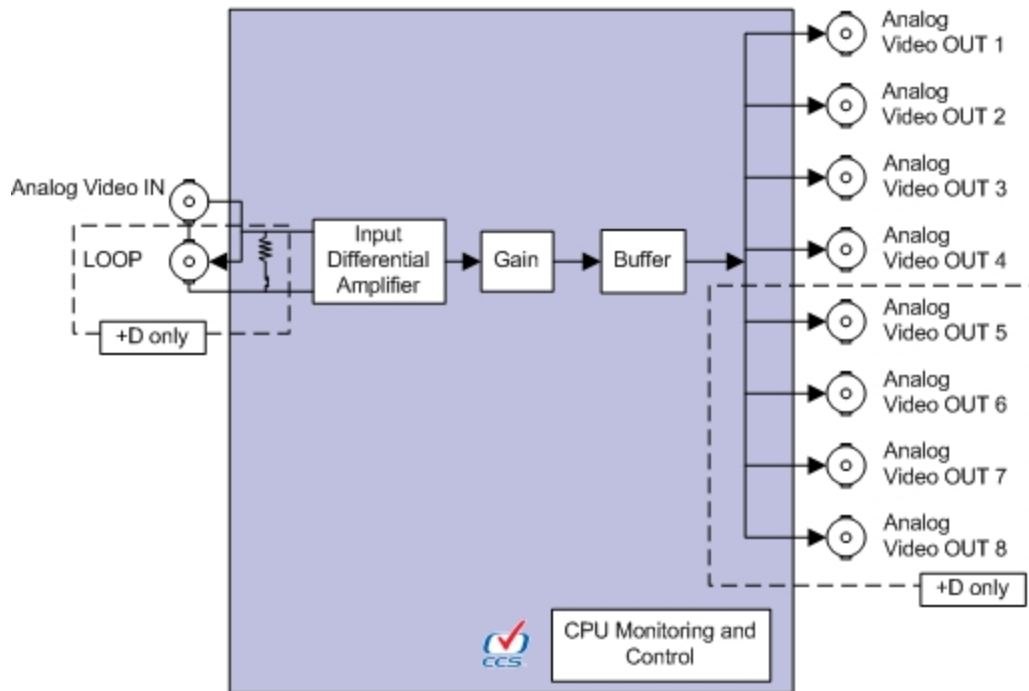
- 
- 

## FEATURES

- One differential input
- Eight outputs with double-back module; four outputs with single-back module
- DC input coupling
- Looping and internal terminating selectable with dual-slot back module; internal terminating with single-slot back module
- $\pm 3$  dB gain adjustable range
- >50 MHz bandwidth
- Hot swappable
- Module presence reporting via Harris CCS<sup>™</sup> control system

**IMAGES/DIAGRAMS**

**Block Diagram**



**Back Modules**

**VDA6800+S**



**VDA6800+D**



**SPECIFICATIONS**

Specifications and designs are subject to change without notice.

**Inputs**

Input Level	1 Vp-p nominal
Maximum Input Level	2.5 Vp-p centered @ 0 V
Input Impedance	75 ohms, looping or internal terminating selectable
Input Coupling	DC
Input Return Loss	>45 dB to 5 MHz, >40 dB to 10 MHz
CMRR	>65 @ 1 kHz
CM Range	>28 Vp-p

**Outputs**

Number of Outputs	8 (D back module), 4 (S back module)
Output Impedance	75 ohms
Output Return Loss	>45 dB to 5 MHz, >40 dB to 10 MHz
Output Isolation	>40 dB @ 10 MHz
Response Variation	<0.1 dB @ 10 MHz
Phase Match	<±0.2°

**Performance**

Gain	-3 dB to +3 dB
Frequency Response	±0.05 dB DC-10 MHz, ±0.2 dB to 20 MHz, -3 dB >50 MHz
Line Tilt	< 0.20%
Field Tilt	< 0.20%
Differential Gain	<0.15%
Differential Phase	<0.15°
DC offset	<25 mV
S/N	>70 dB by VM 700
Propagation Delay	14±1.0 ns
Performance Temperature	5-40°C
Operating Temperature	0-50°C
Power Dissipation	<2 W

**ORDERING INFORMATION**

VDA6800+S	1x4 DA, analog video, one slot
VDA6800+D	1x8 DA with looping input, analog video, two slots

Provided by: Mega Hertz 800-883-8839 sales@go2mhz.com www.go2mhz.com