

“PATRIOT”®



SATELLITE ANTENNA SYSTEMS

# 3.8 METER SOLID COMMERCIAL ANTENNA SPECIFICATIONS

RF SPECIFICATIONS	C-BAND	KU-BAND	MECHANICAL SPECIFICATIONS
Frequency .....	3.7 – 4.2 GHZ	11.7 – 12.2 GHZ	Azimuth Travel ..... 360° Continuous
Gain Midband ± .2 DB .....	41.7 dbi	51.8 dbi	F/D Ratio..... .413
3 DB Beam Width .....	1.3 Deg.	.45 Deg.	Elevation Travel ..... 0° to 90°
2 Deg. Discrimination (MAX) .....	22.5 DB	22.5 DB	Focal Distance ..... 62 5/8"
Antenna Noise Temperature at 20 Degrees Elevation .....	30 Deg. K	25 Deg. K	Reflector Material ..... 16 Segment Aluminum
30 Degrees Elevation .....	25 Deg. K	21 Deg. K	Antenna Optus ..... Prime Focus, AXISymmetric
VSWR .....	1.3 Max	1.3 Max	<u>Mount</u> <u>Shipping Weight</u> <u>Mast Size</u>
Efficiency %.....	60.2	72%	Az-El Head      675 lbs.      6.625"oobx6ft.
Cross Polarization.....	>35	>35	Horizon to Horizon      900 lbs.      6.625"oobx6ft.
			King Post      1350 lbs.
			Navigator      800 lbs.      6.625"oobx6ft.

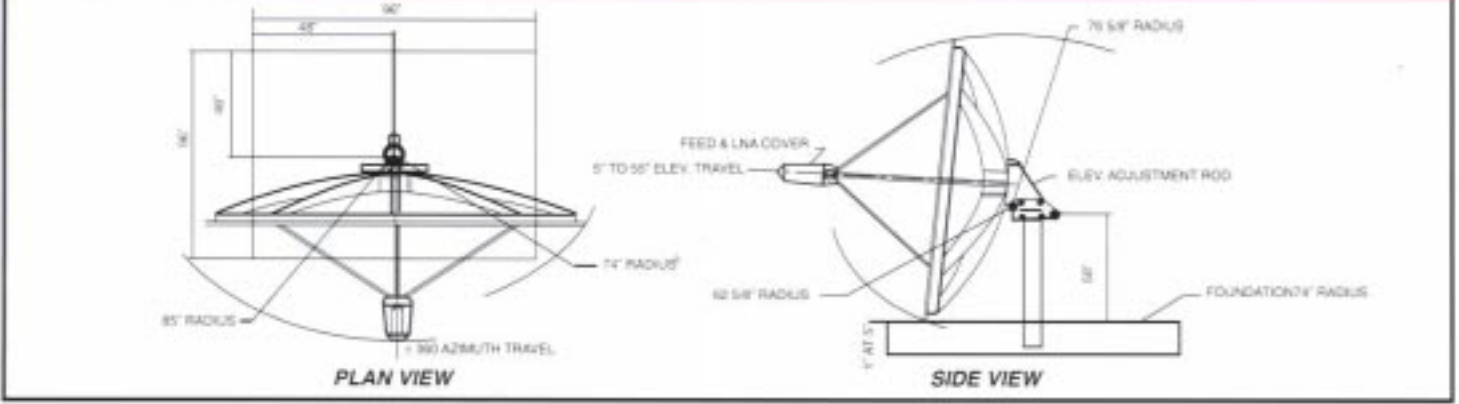
ENVIRONMENTAL SPECIFICATIONS	
Operational Windload (MID-BAND) ...	60 Mph
Survival Windload .....	125 Mph / 201 Km.
Ambiant Temperature Survival .....	-40° to 140° Deg. F.
Solar Radiation .....	360 BTU/H/FT <sup>2</sup>
Shock & Vibration .....	As Encountered During One Shipment of Air, Rail or Truck

Mounts .....	AZ-EL Fixed, Horizon to Horizon, Dual Axis King Post Mount, Az-El Fixed King Post and Navigator
--------------	---

\*\*Specifications subject to change without notice\*\*

- Solid Aluminum Reflector
- Stainless Steel Reflector Hardware Avail.
- Powder Coat Paint Reflector
- Multi-Feed Systems Available (up to 4)
- 2 Degree FCC Compliance

## ANTENNA GEOMETRY



Contact Mega Hertz for more information  
800-922-9200