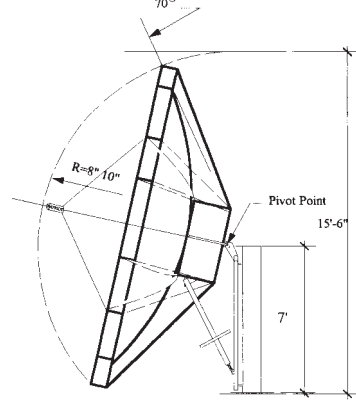


# 4.5 Meter Solid Commercial Antenna Specifications

RF Specifications	C-Band	Ku-Band	Mechanical Specifications	
Frequency.....	3.7-4.2 GHz	10.95-12.2 GHz	Azimuth Travel .....	132°
Gain Midband.....	44.7	53.2	Continuous	
Side-lobes (max).....	30.0	23.0	Azimuth Travel Rate .....	Variable
Cross Polarization.....	>35	>35	Elevation Travel .....	0° to 90°
3 dB Beam Widths			Polarization Travel .....	± 90°
Azimuth.....	1.35°	0.56°	Weight	
Elevation.....	1.35°	0.47°	Reflector .....	750 lbs.
VSWR.....	1.3 Max	1.3 Max	Kingpost Mount .....	750 lbs.
Efficiency %.....	58.9%	64.3%	Az-EI Pole .....	900 lbs.
			Shipping Weight .....	1600 lbs.
			F/D Ratio .....	0.35
			Focal Distance .....	61.95"
			Mast Size Az-EI Pole .....	6 5/8"OD

Environmental Specifications	
Operational Windload.....	60 mph
Survival Windload.....	125mph/201 km
Ambient Temperature Survival...	-25° to 140°F
Radial Ice.....	1" in all areas
Shock & Vibration.....	As Encountered During One Shipment of Air, Rail or Truck
	Az-EI Fixed Kingpost,

## Recommended



Recommended Pad Size:

Contact Mega Hertz for more information  
800-922-9200

Az-EI Pole	Dual Axis Kingpost	Az-EI Fixed Kingpost
------------	--------------------	----------------------

