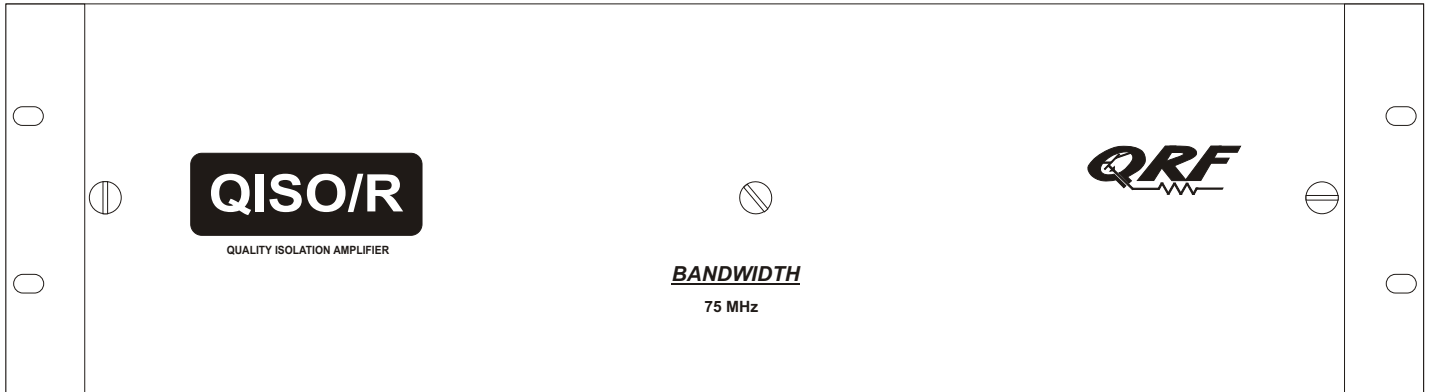


QISO/R75-32

Return Path Headend Isolation Amplifier



QISO/R Reverse Isolation Amplifier (Front View)

Size: 19" W, 5.25" H, 2" D

**** Features ****

- **50 dB Port-to-Port Isolation**
- **8 Independent RF Amplifiers**
- **Unity Gain Splitting Function**
- **Any Bandwidth 5 MHz to 75 MHz**
- **Output Match Exceeds -20 dB**
- **"Loop Thru" Combinations**
- **Full Front Panel Access**
- **DC or AC powered models**

The QISO family now has a return path model housed in a 5.25" x 19" standard rack mount chassis. **QISO/R75-32** is the active splitter with excellent return loss specifications required for digital QAM signals. This package of EIGHT independent monolithic amplifier circuits resides in a single chassis within three vertical "rack units."

Any number of these amplifiers can be connected via loop through directional couplers at the input of each amplifier circuit board. This allows the user to configure 4, 8, 12 or up to 32 output ports from a single RF return path source. Unused RF loop through ports should be terminated.

The QISO/R75-32 can minimize local oscillator "cross-talk" between return path signal processing devices in the headend environment. Return signals can be routed to telco router switches, status monitors, RF modems and to converter polling computers without interaction problems.

All four ports of each amplifier are padded to provide unity gain to each output port. **Best performance is obtained with the digital signal output levels near +30 dBmV.** All the SXP pads are accessible from the front of the rack should the user wish to alter the loss or gain at any or all four output ports. The shallow chassis design allows easy removal from the front of the equipment rack for rewiring or circuit board replacement.

Like our earlier QISO, the basic model is powered by +24 volts DC from regulated power supply sources. An AC-powered version is available and includes an internal rectifier, voltage regulator, and UL approved class 2 power transformer. The AC model may also be powered by +28 volts DC and utilize the internal voltage regulator for a stable DC supply.

QRF continues to provide flexible and state-of-the-art technology at the lowest possible price.



Member ~~ATX~~ Group

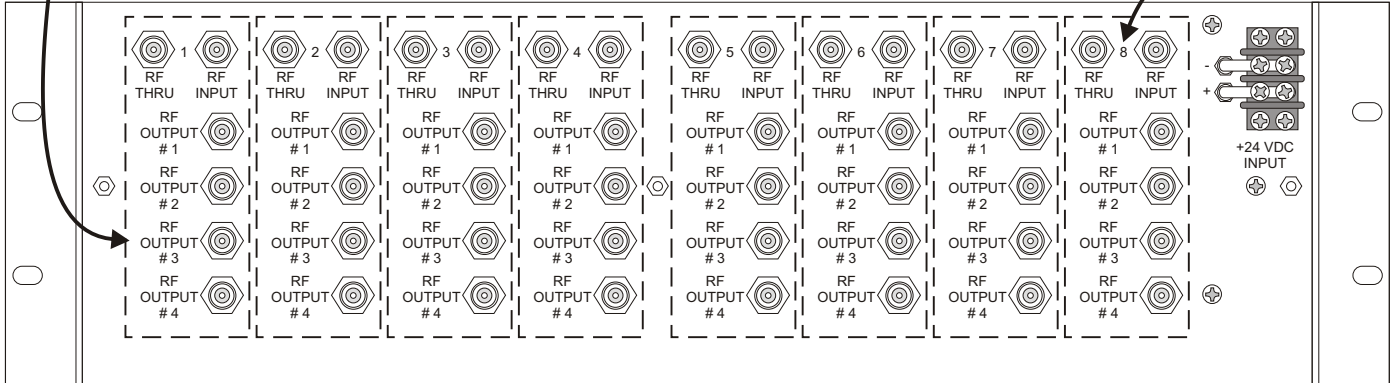
Quality RF Services, Inc.

RETURN PATH
DISTRIBUTION
AMPLIFIER

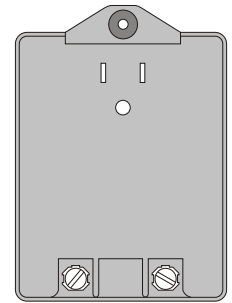
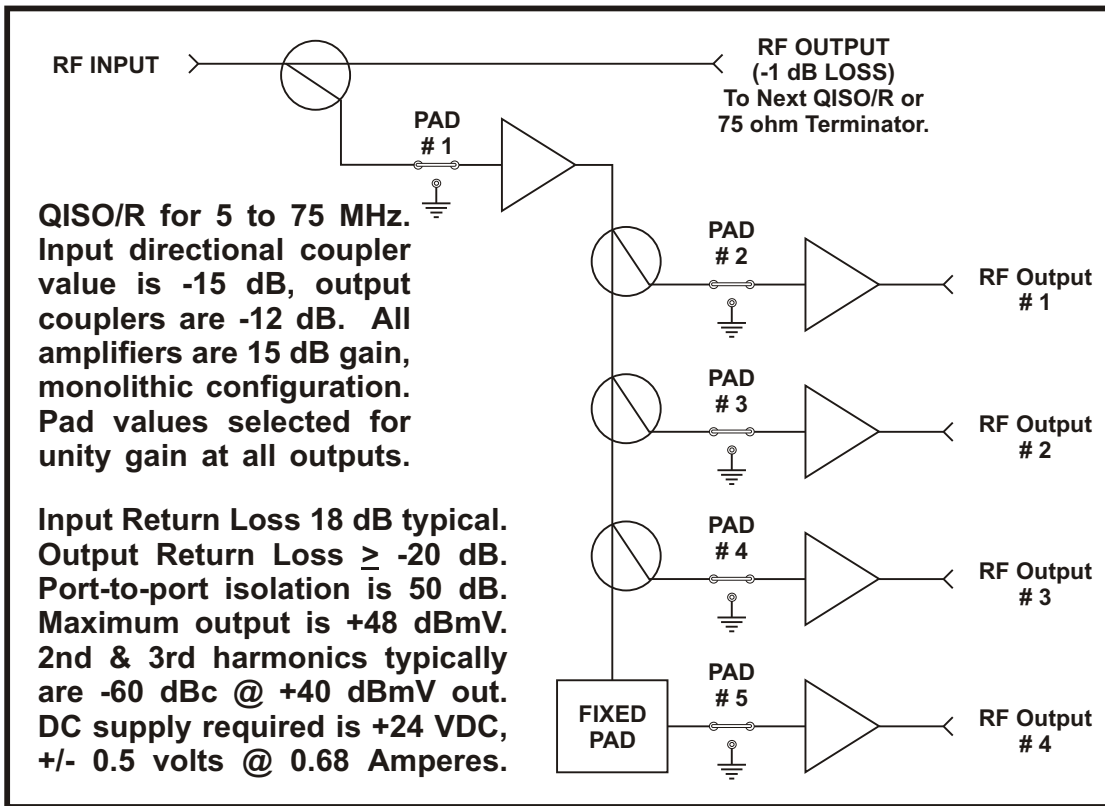
Up to 32 ports from
a single RF return
source per chassis!

QISO/R75-32

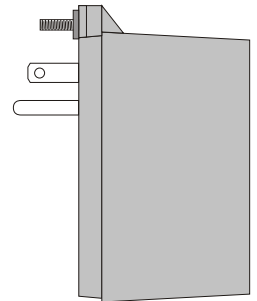
Loop thru in
4-port groups
as needed!



QISO/R Reverse Isolation Amplifier (Rear View)



50 VA, UL power transformer is included with AC powered models. For spares order QRF part #951, \$15.00 each.



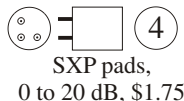
ORDERING INFORMATION:

QISO / R75-32 (DC powered)

QISO / R75-32/AC (AC powered)

1 = Frequency Range: **5 to 75 MHz**

2 = Gain: **UNITY (0 dB)**



SXP pads,
0 to 20 dB, \$1.75

OPTIONS:

SXP-***..... Plug-in attenuator pad values are 0 (zero) to 20 dB in 1 dB steps.

#951..... Power transformer, one included, order this part for spares only.

Dimensions: 19" x 5.25" x 1.6"

Shipping Weight: 6 lbs. (DC), 8 lbs. (AC)